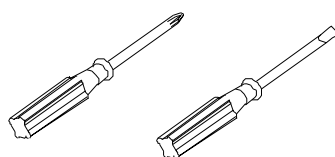
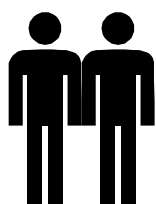
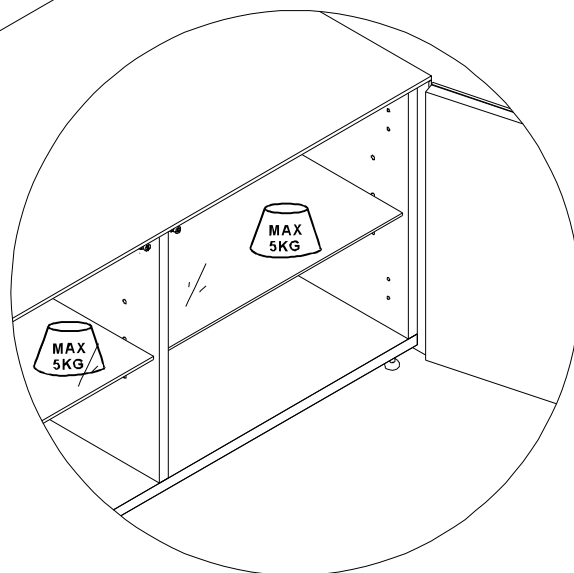
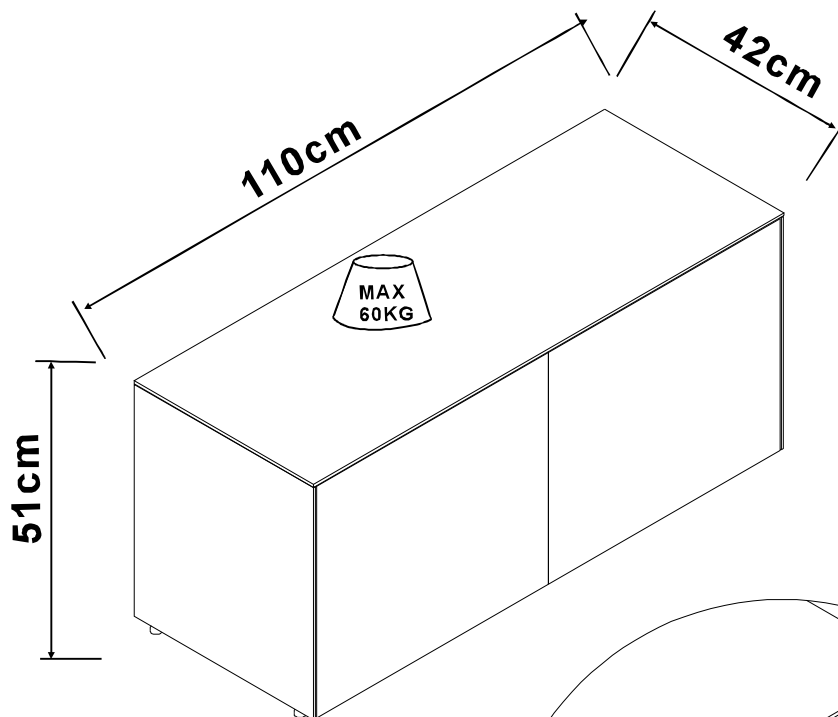


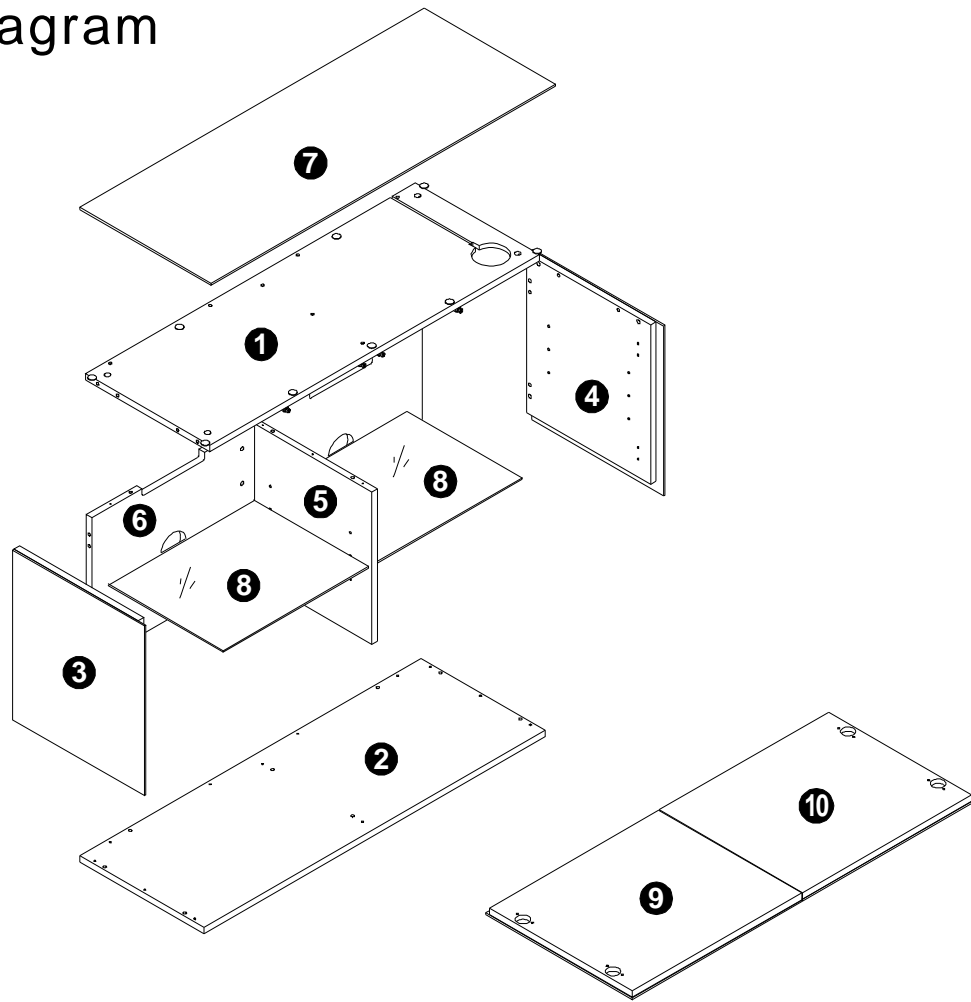
Frank Olsen

MEDIUM

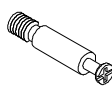


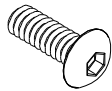


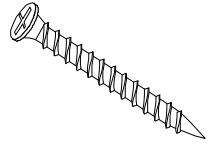
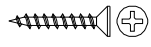
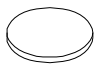
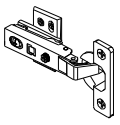
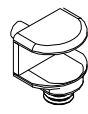
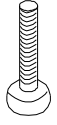
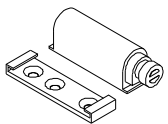
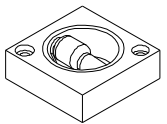


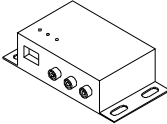
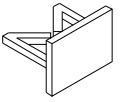
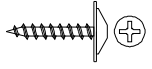
Clean only with a non abrasive cloth or glass cleaner.



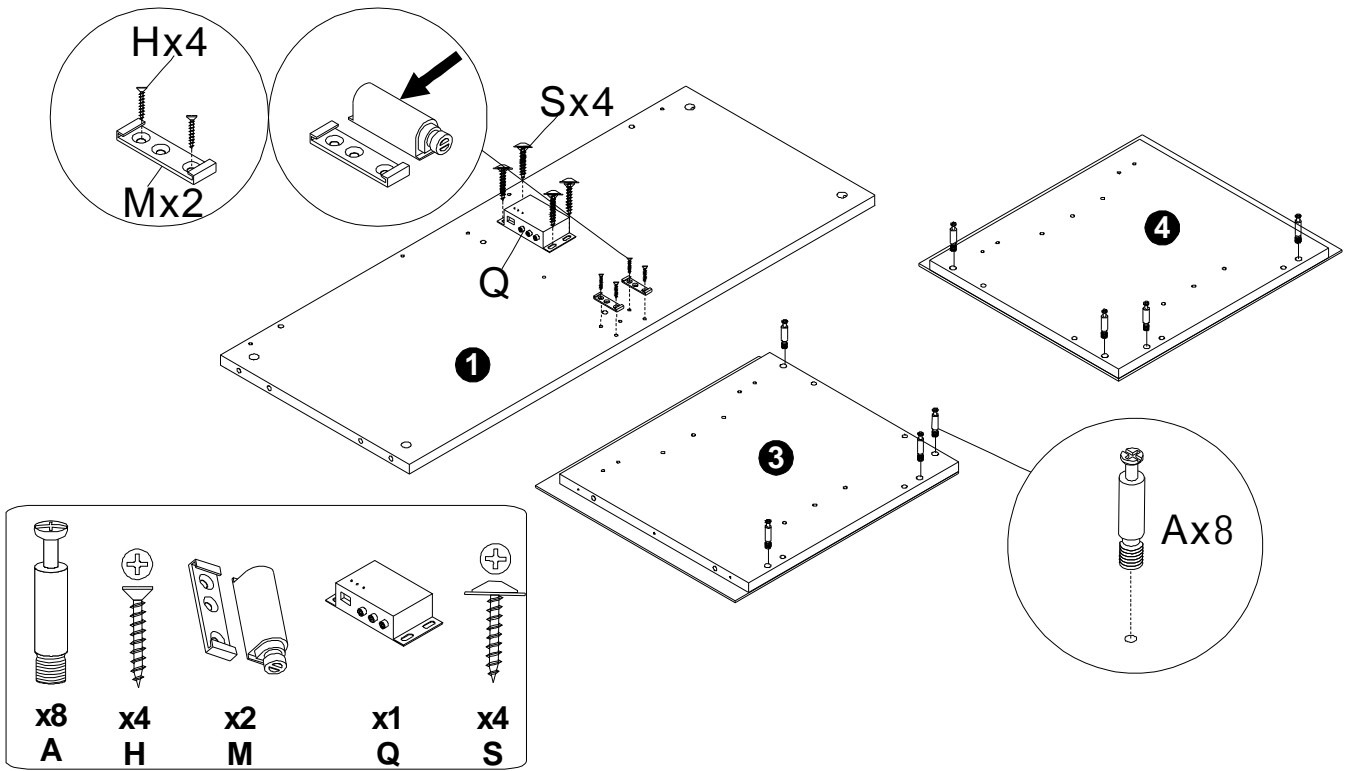
Structure Diagram



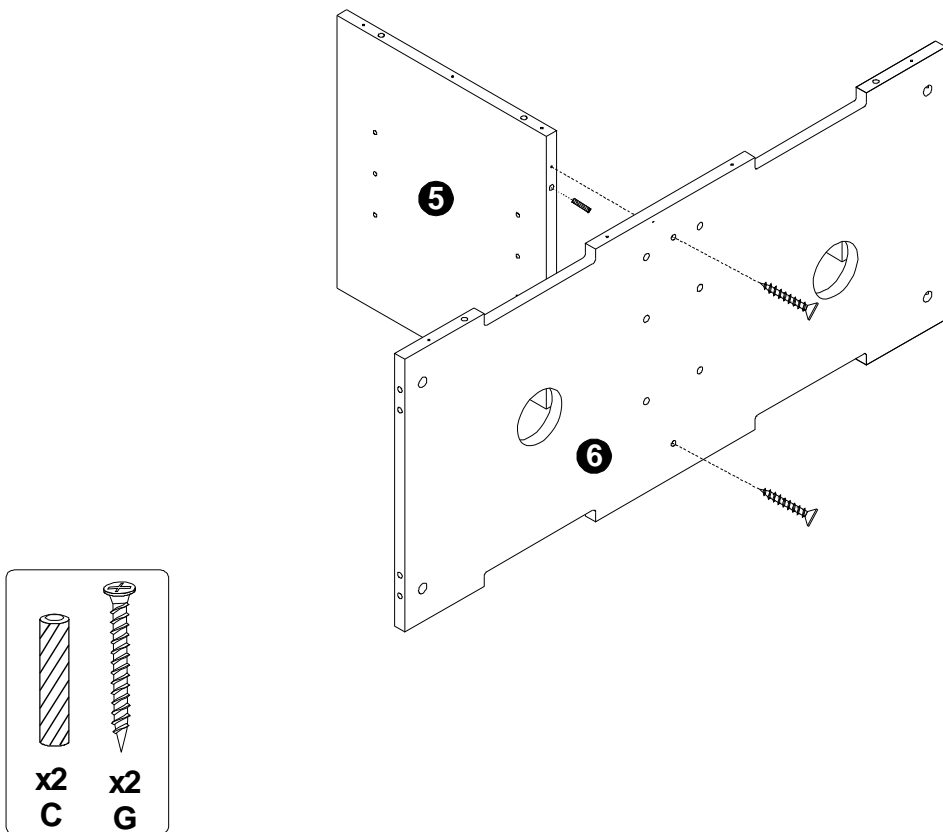
Hardware List

<p>A(8PCS)</p>  <p>Ø6X32mm</p>	<p>B(8PCS)</p>  <p>Ø15mm</p>	<p>C(22PCS)</p>  <p>M8X30mm</p>	<p>D(8PCS)</p>  <p>M4X30mm</p>	<p>E(1PC)</p> 	<p>F(8PCS)</p>  <p>Ø20mm</p>
<p>G(21PCS)</p>  <p>M4X40mm</p>	<p>H(4PCS)</p>  <p>M3.5X16mm</p>	<p>I(6PCS)</p> 	<p>J(4PCS)</p> 	<p>K(8PCS)</p> 	<p>L(5PCS)</p> 
<p>M(2PCS)</p> 	<p>N(4PCS)</p> 	<p>O(2PCS)</p> 	<p>P(1PC)</p> 	<p>Q(1PC)</p> 	<p>R(2PCS)</p> 
<p>S(4PCS)</p>  <p>M3.5X16mm</p>					

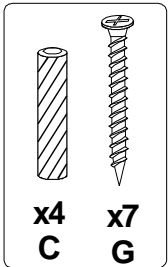
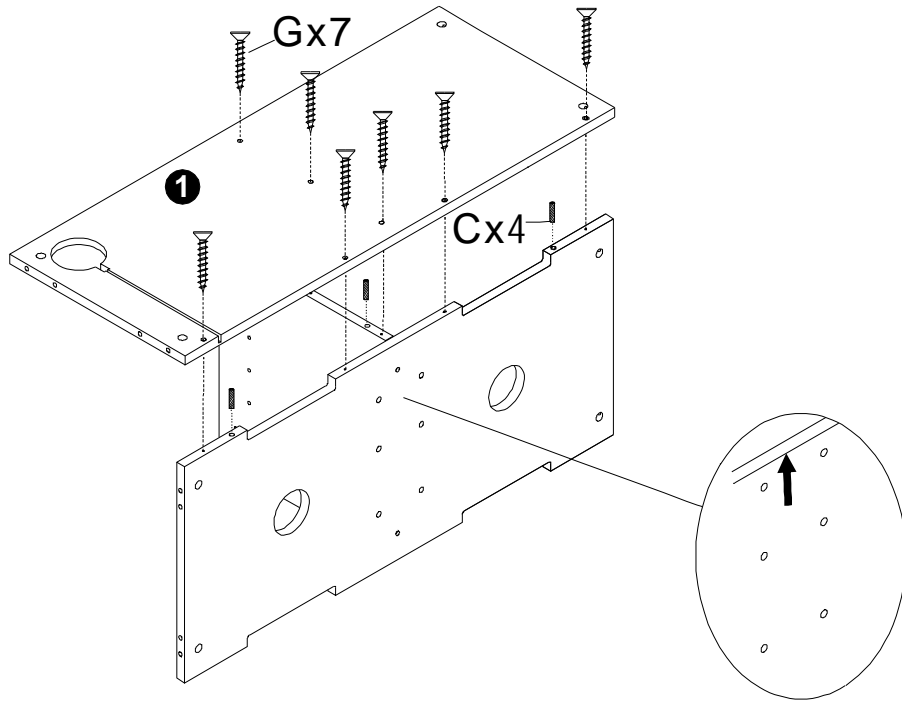
(1)



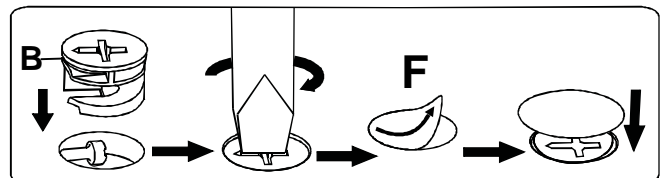
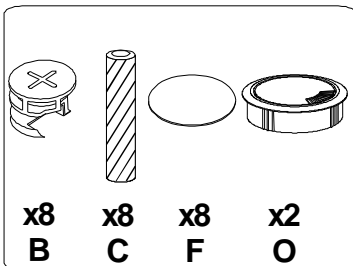
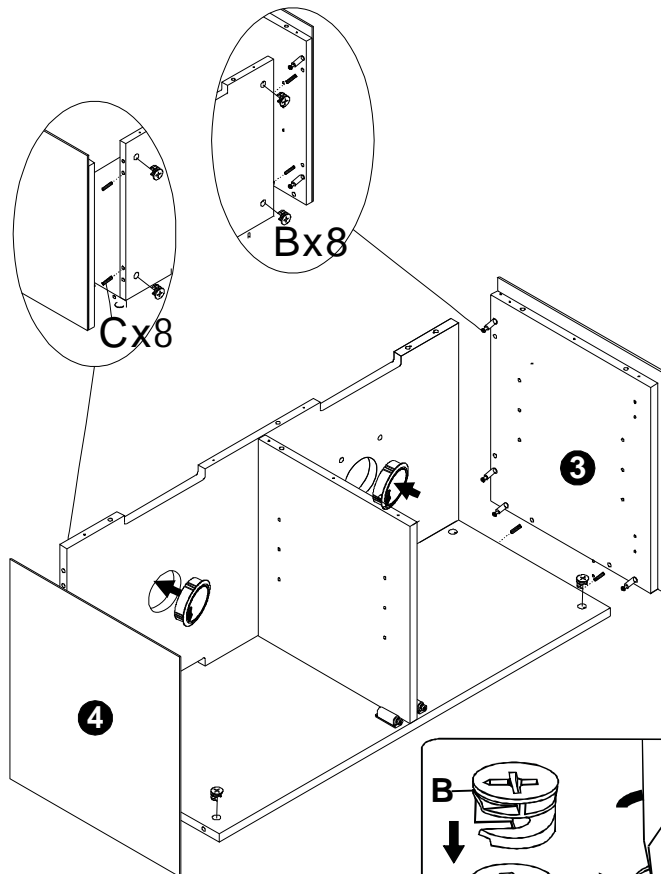
(2)



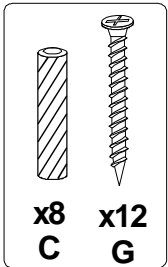
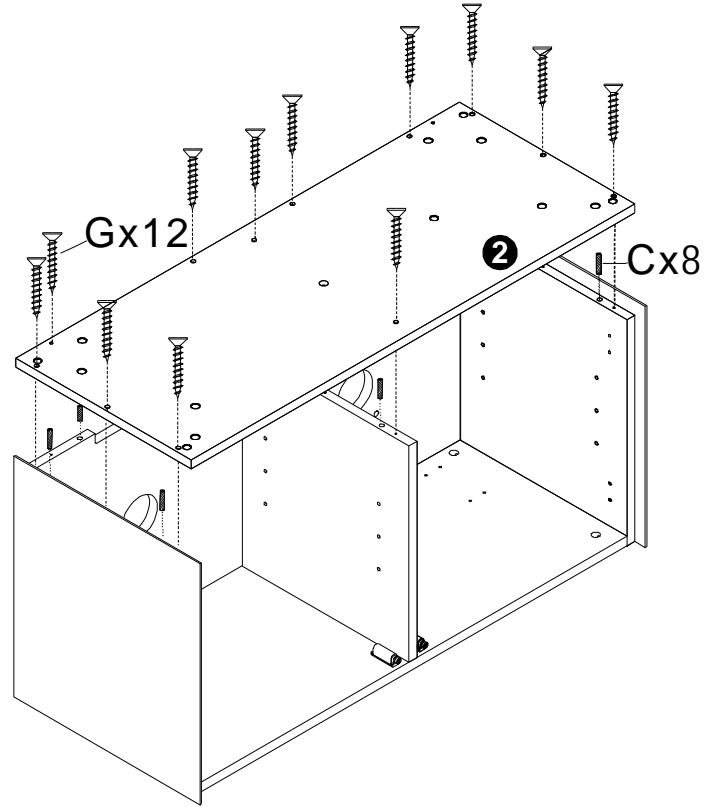
(3)



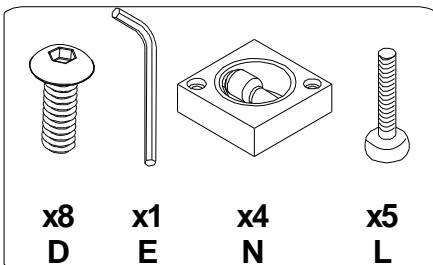
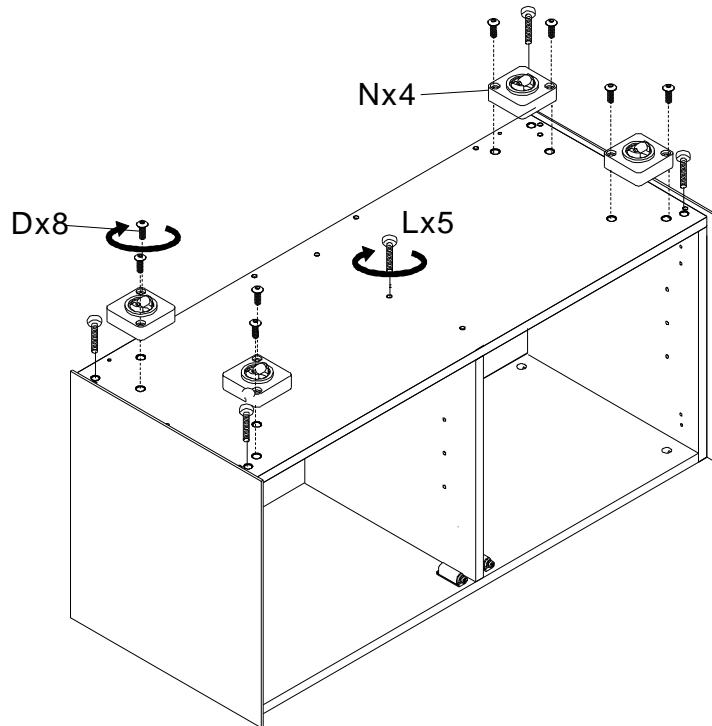
(4)



(5)



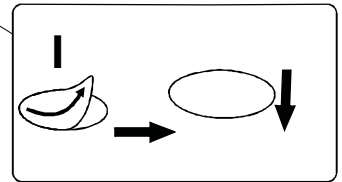
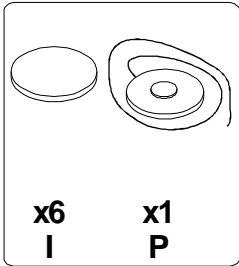
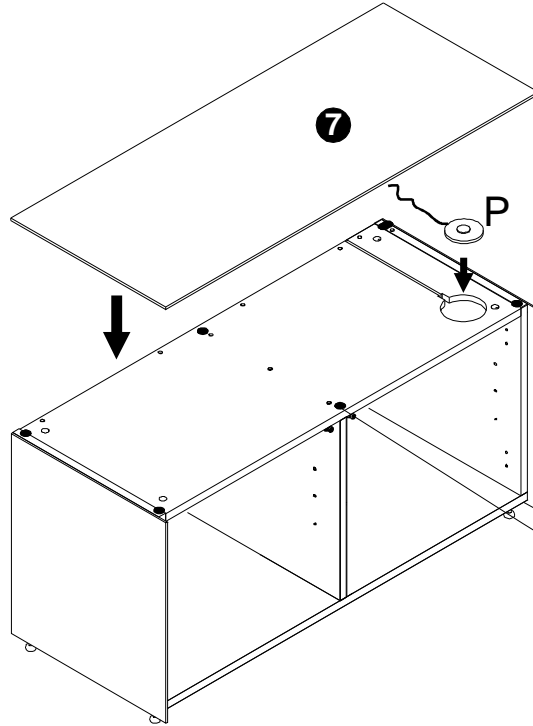
(6)



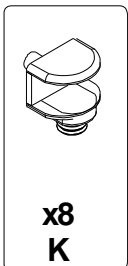
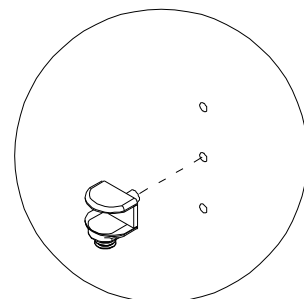
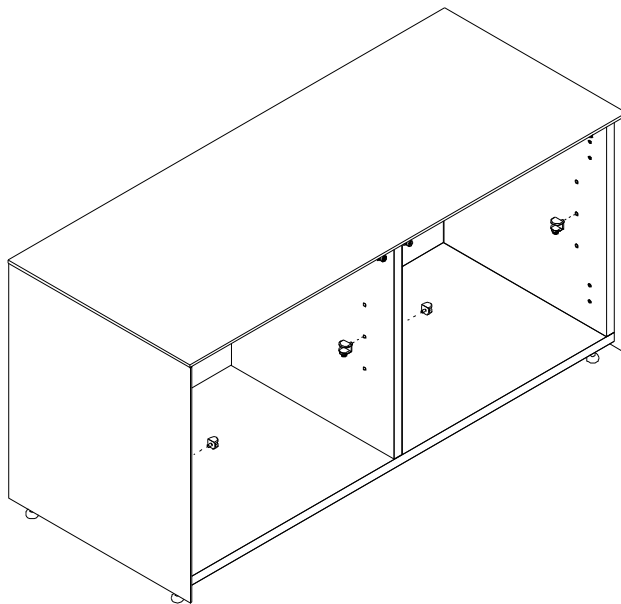
Adjustable height feet are optional to use.
Recommended if floor is uneven.
Note: Always use the central foot support

(7)

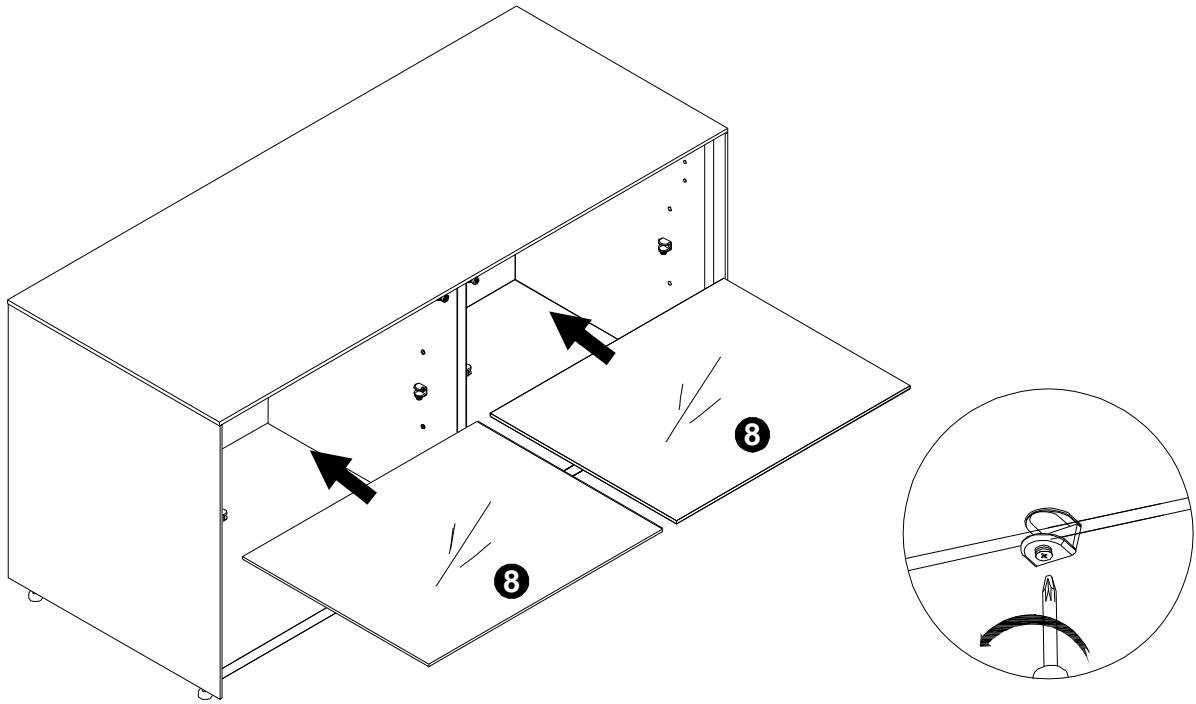
Connect cable micro port to the charging unit.
Connect the cable USB port to a power source or plug.
Place the charger in the cut out of the panel and feed
cable along the channel.
Note: Charger position has the coil to the top.



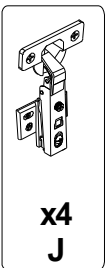
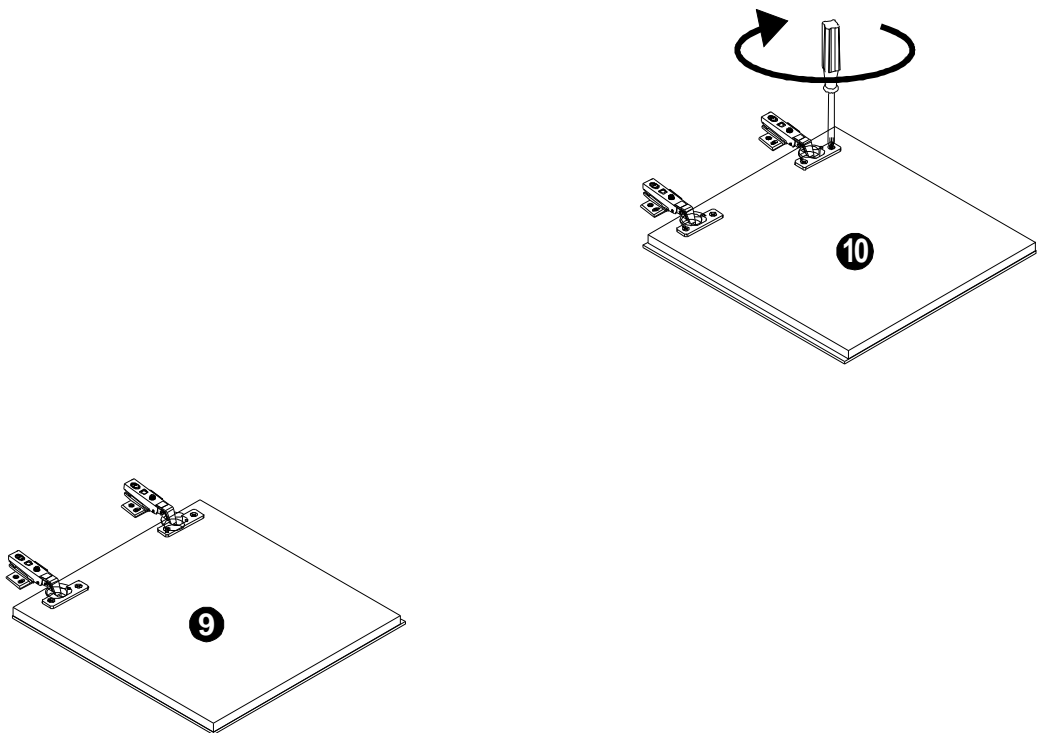
(8)



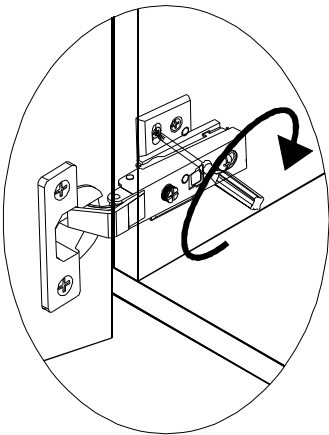
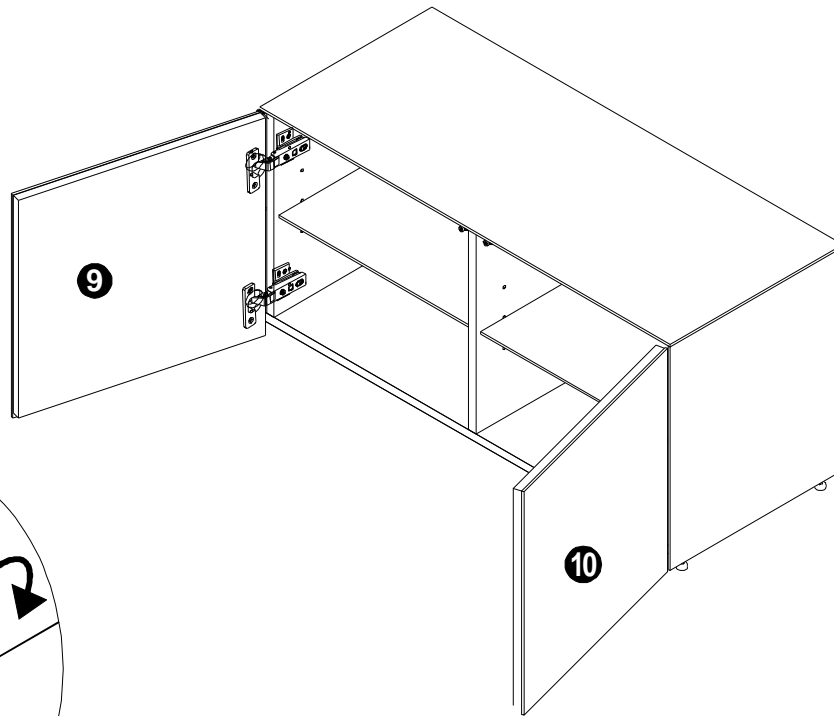
(9)



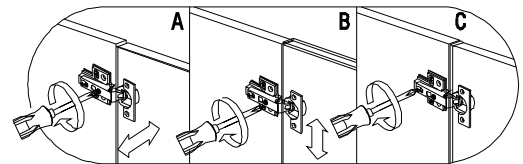
(10)



(11)



Hinges Adjustment Facilities



A. Lateral Adjustment

B. Vertical adjustment

C. Front-to-Back

by screw adjusting via slot in the mounting plate by the slackening the hinge-arm mounting screw