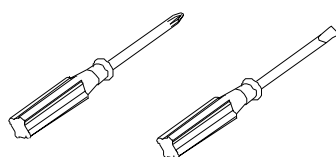
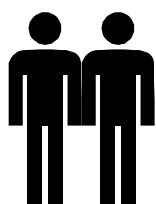
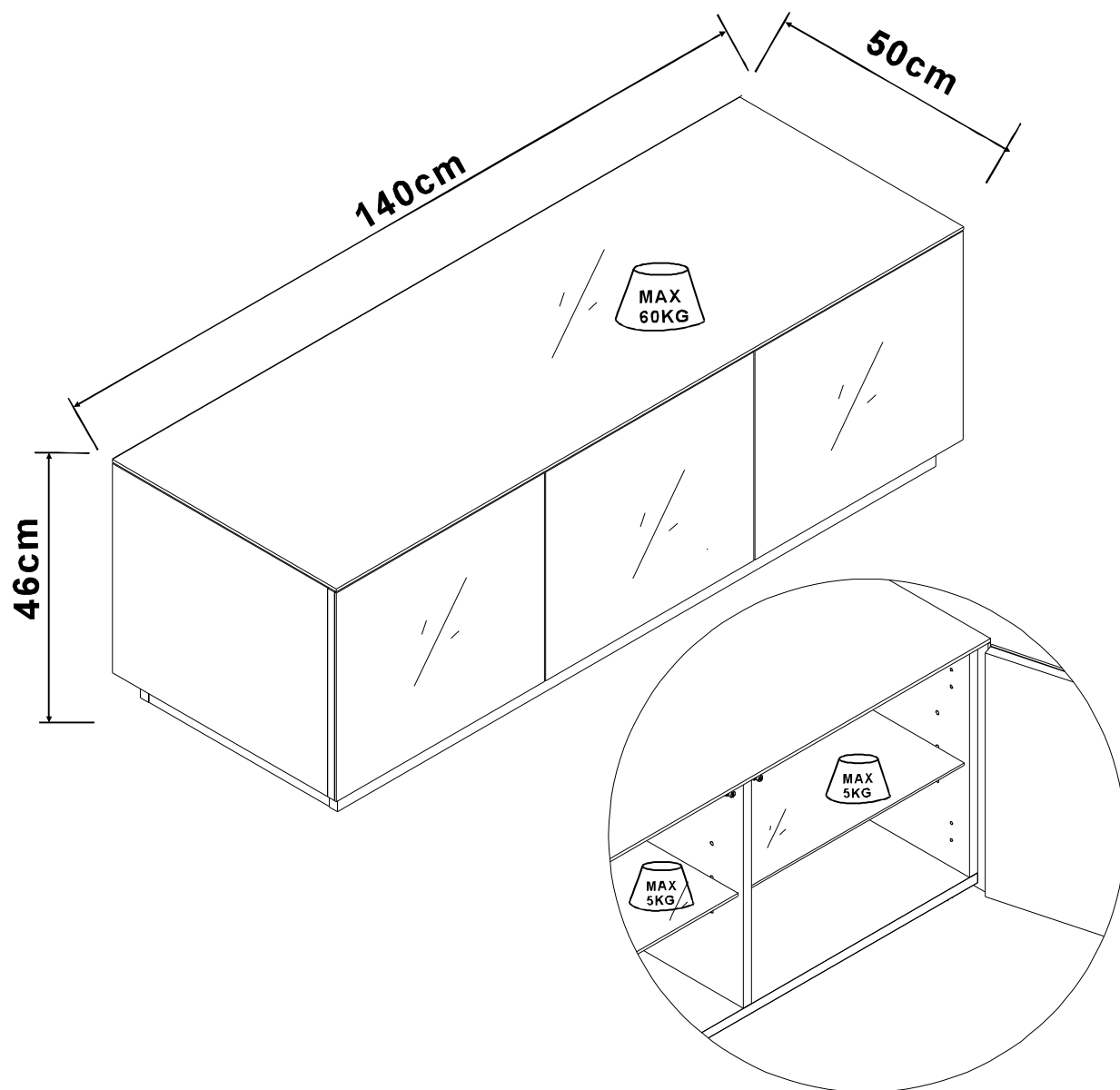


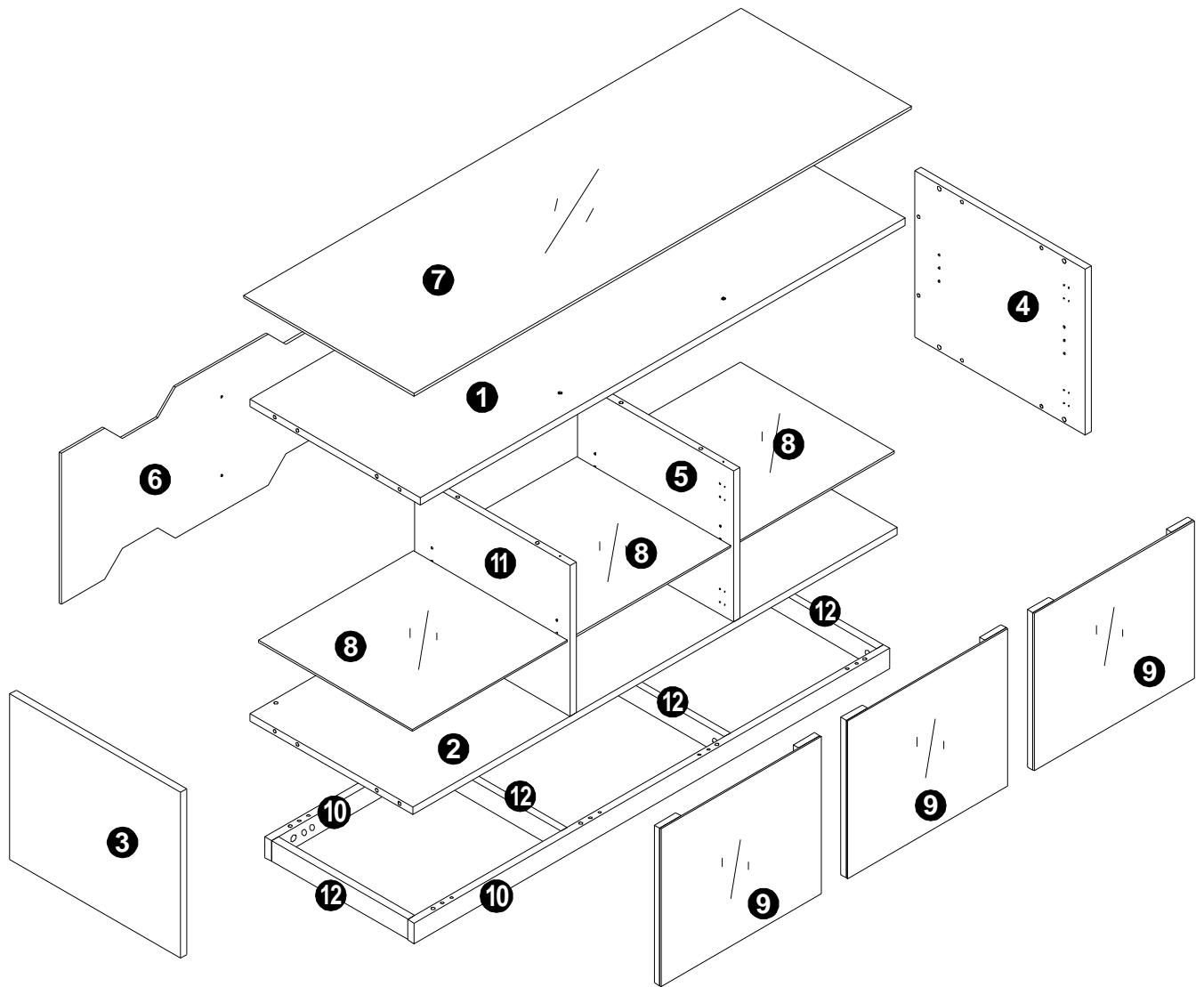
Frank Olsen

CHIC1400

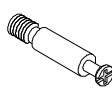


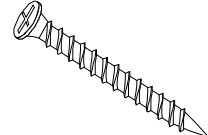

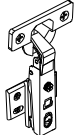
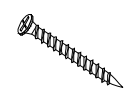
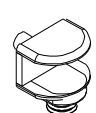
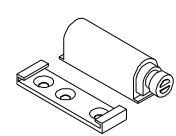

Clean only with a non abrasive cloth or glass cleaner.



Structure Diagram

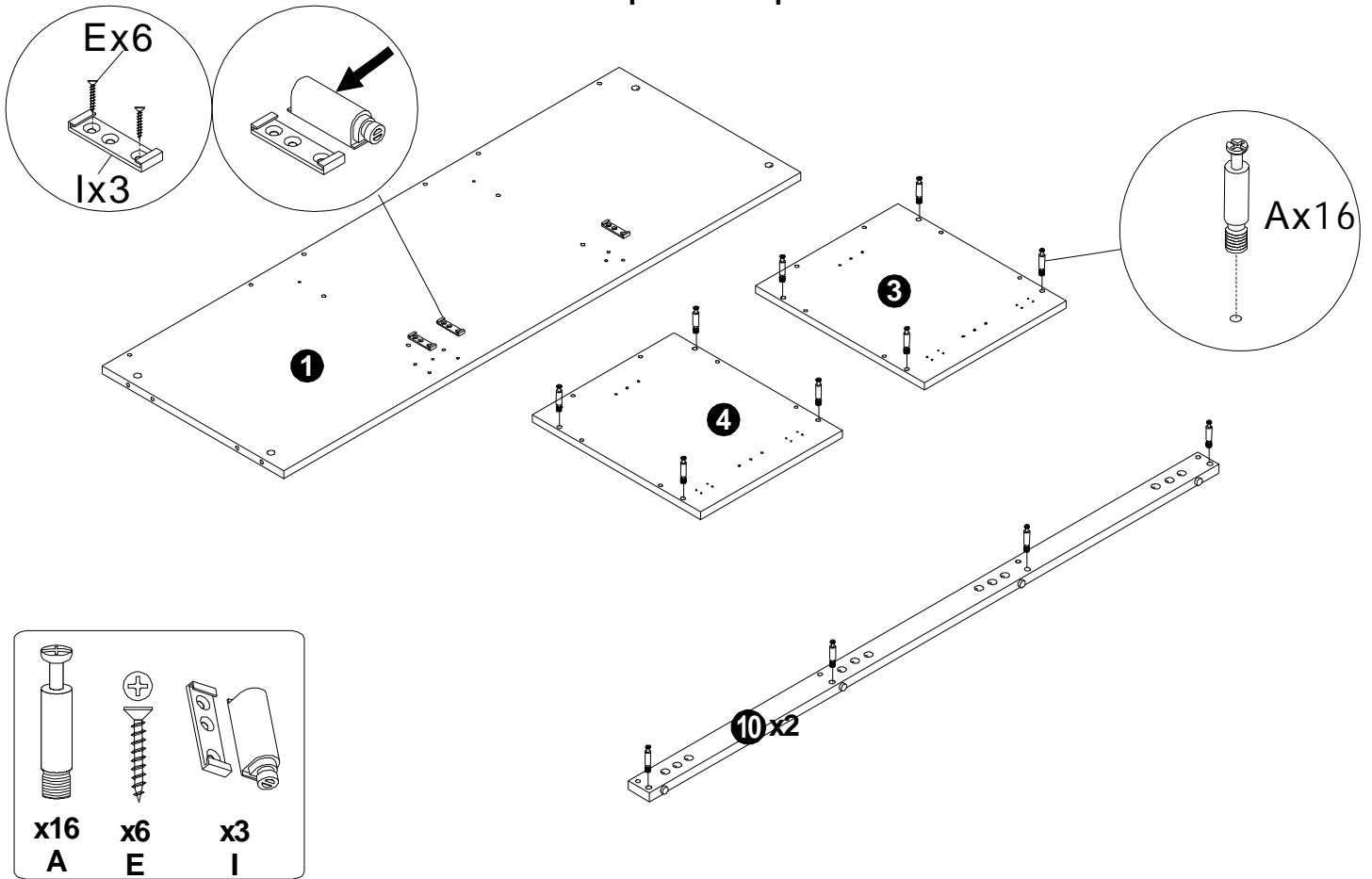


Hardware List

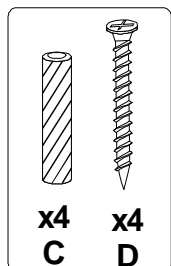
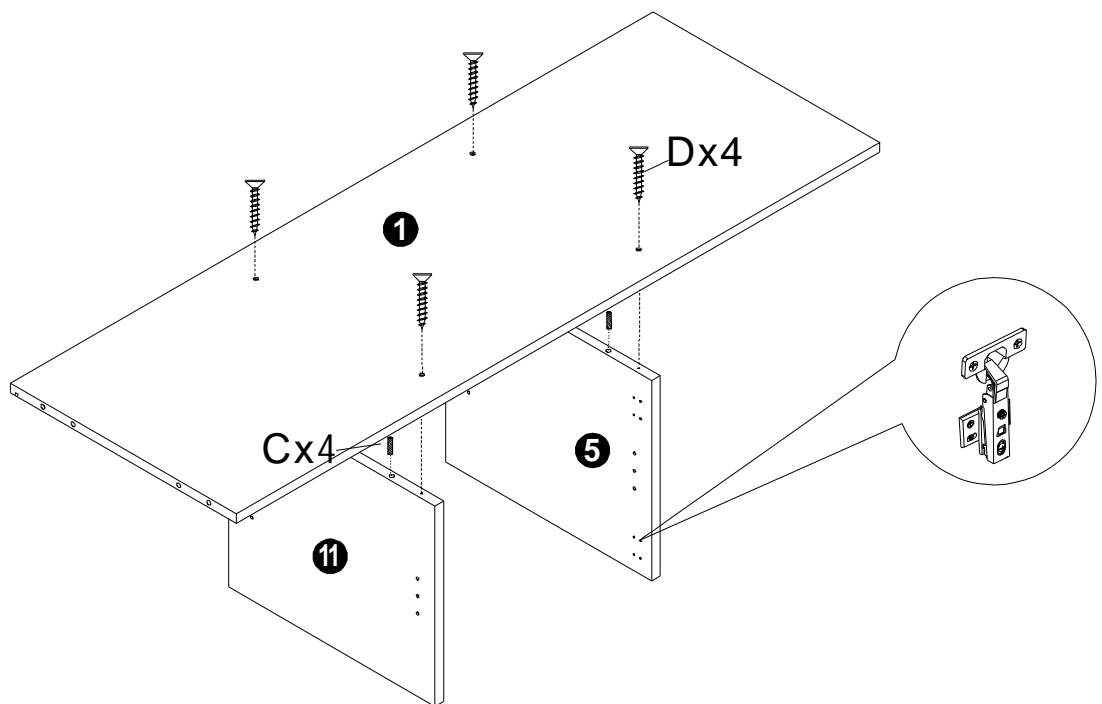
<p>A(24PCS)</p>  <p>∅6X32mm</p>	<p>B(24PCS)</p>  <p>∅15mm</p>	<p>C(24PCS)</p>  <p>M8X30mm</p>	<p>D(8PCS)</p>  <p>M4X40mm</p>	<p>E(6PCS)</p>  <p>M3.5X16mm</p>	<p>F(6PCS)</p> 
<p>G(4PCS)</p>  <p>M4X20mm</p>	<p>H(12PCS)</p> 	<p>I(3PCS)</p> 	<p>J(8PCS)</p>  <p>∅40mm</p>		

(1)

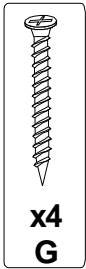
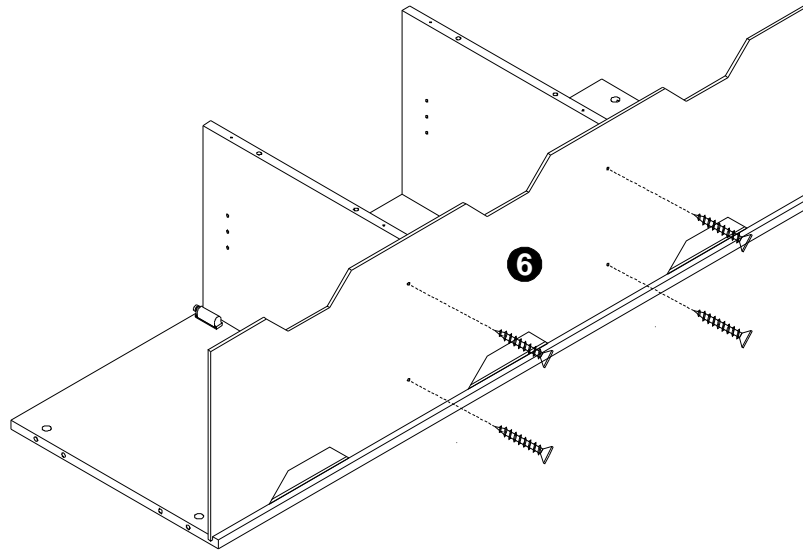
Note: Turn the end of barrel for extra adjustment if needed to work the 'push open' mechanism.



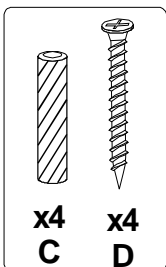
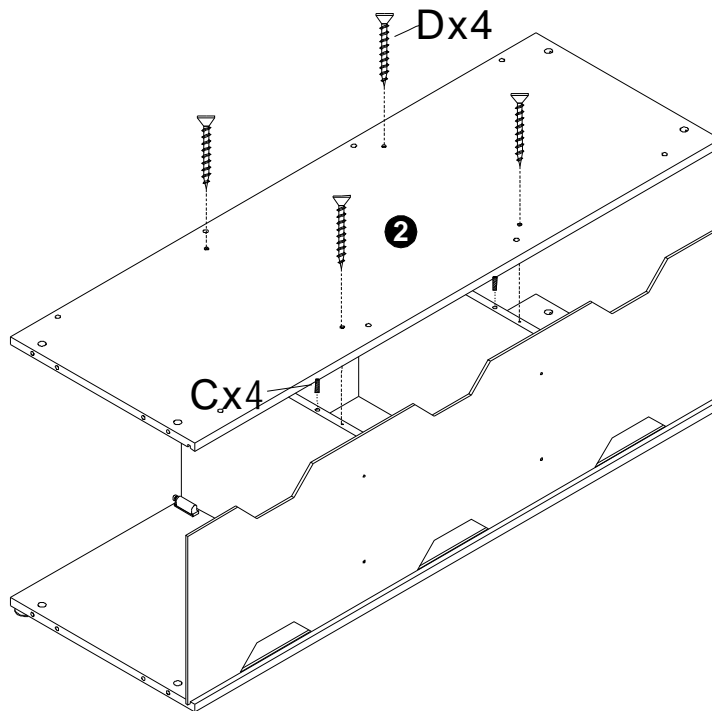
(2)



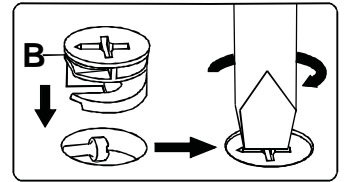
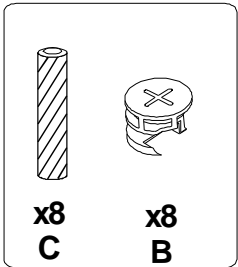
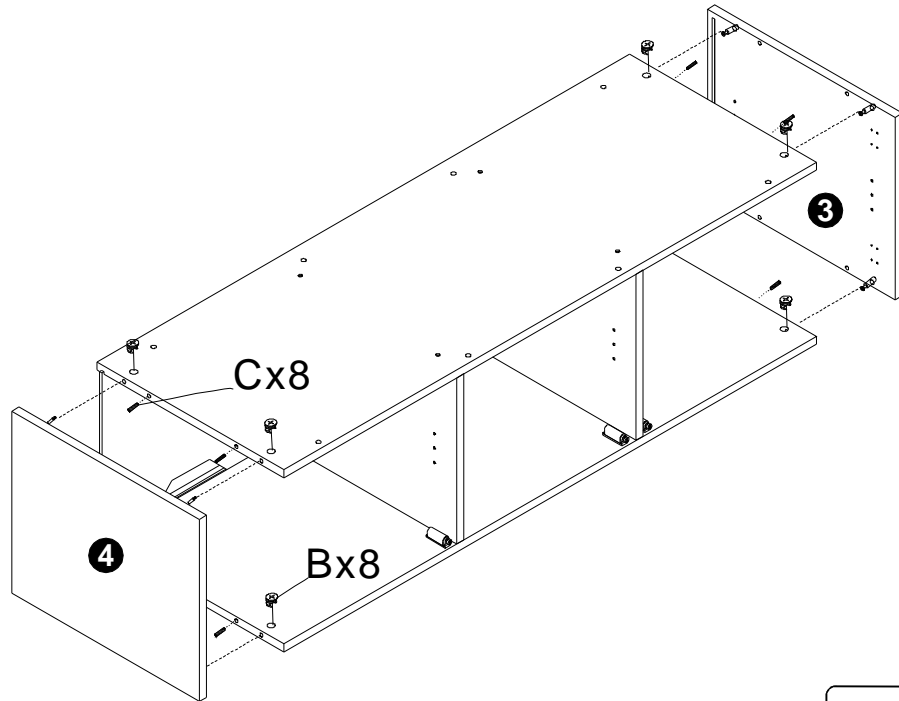
(3)



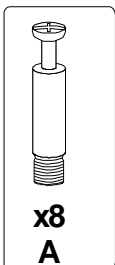
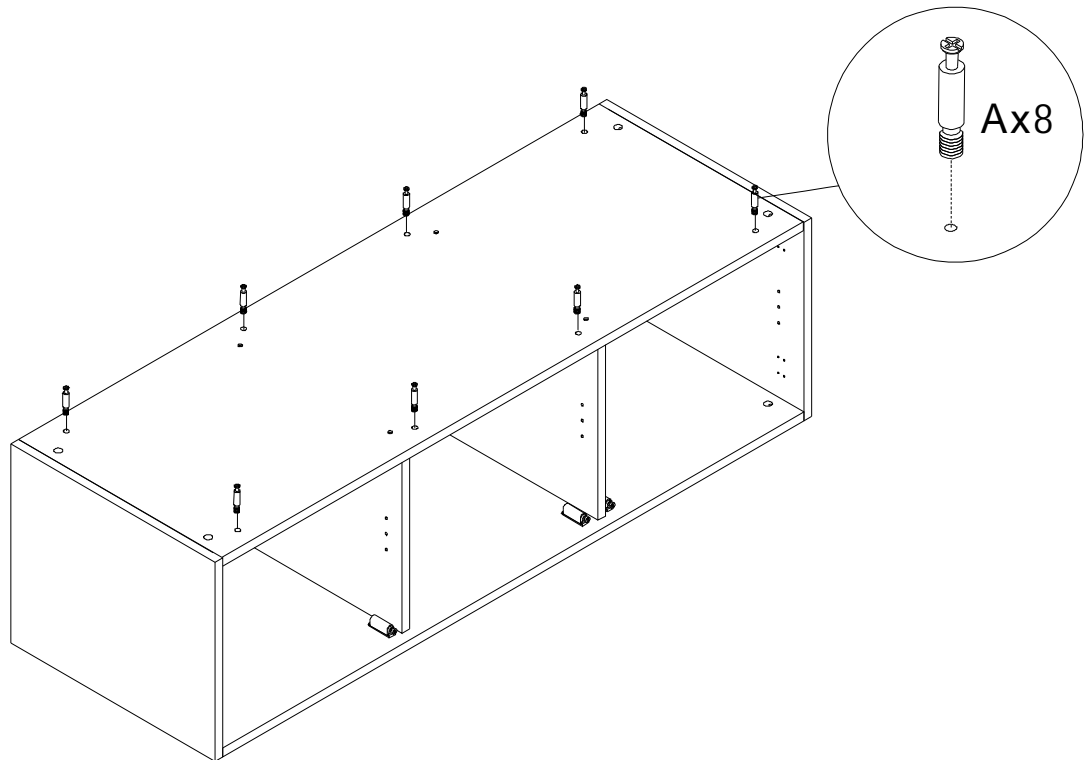
(4)



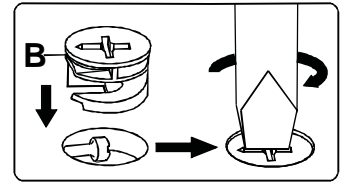
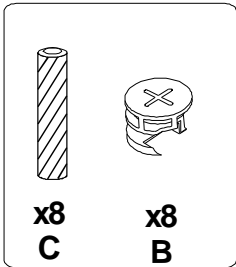
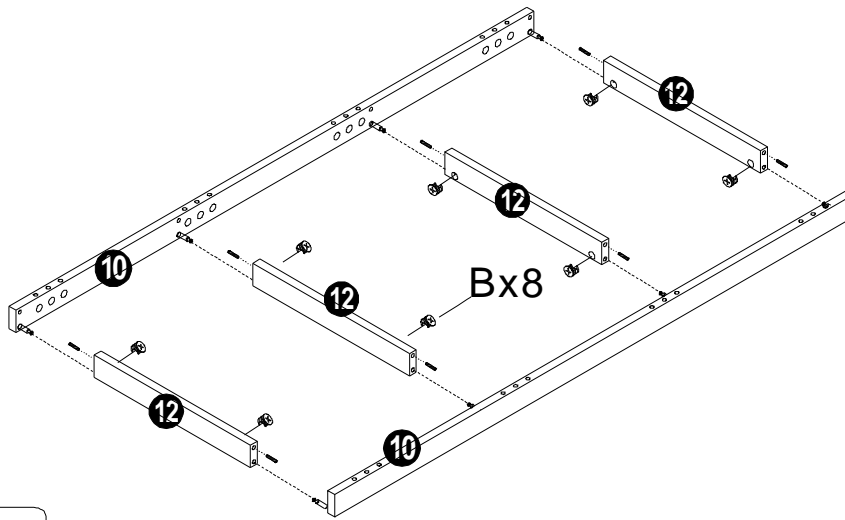
(5)



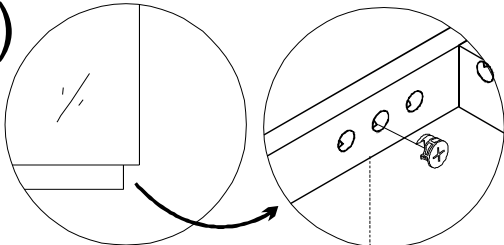
(6)



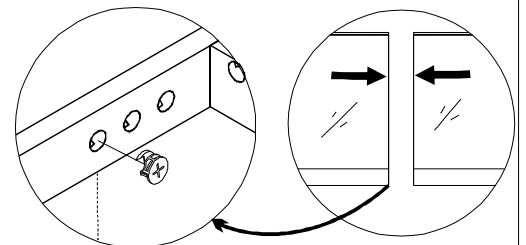
(7)



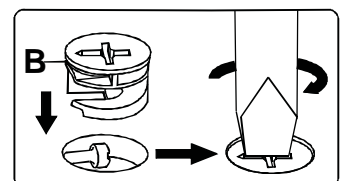
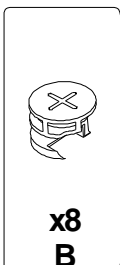
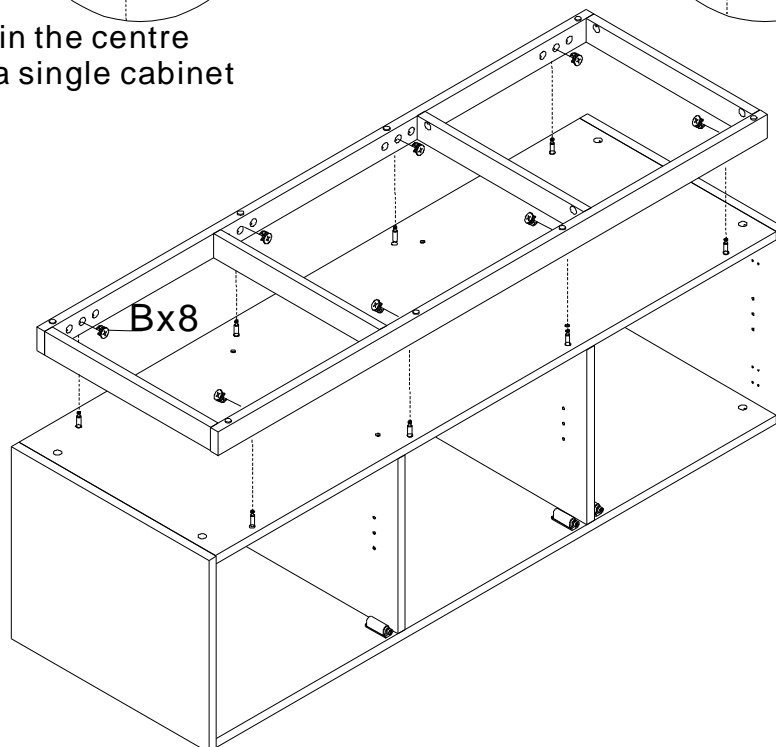
(8)



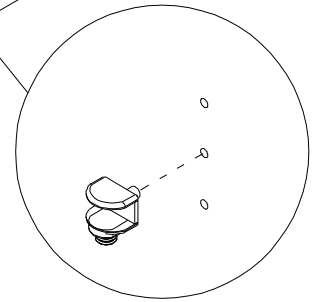
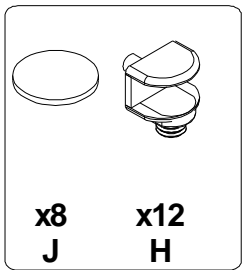
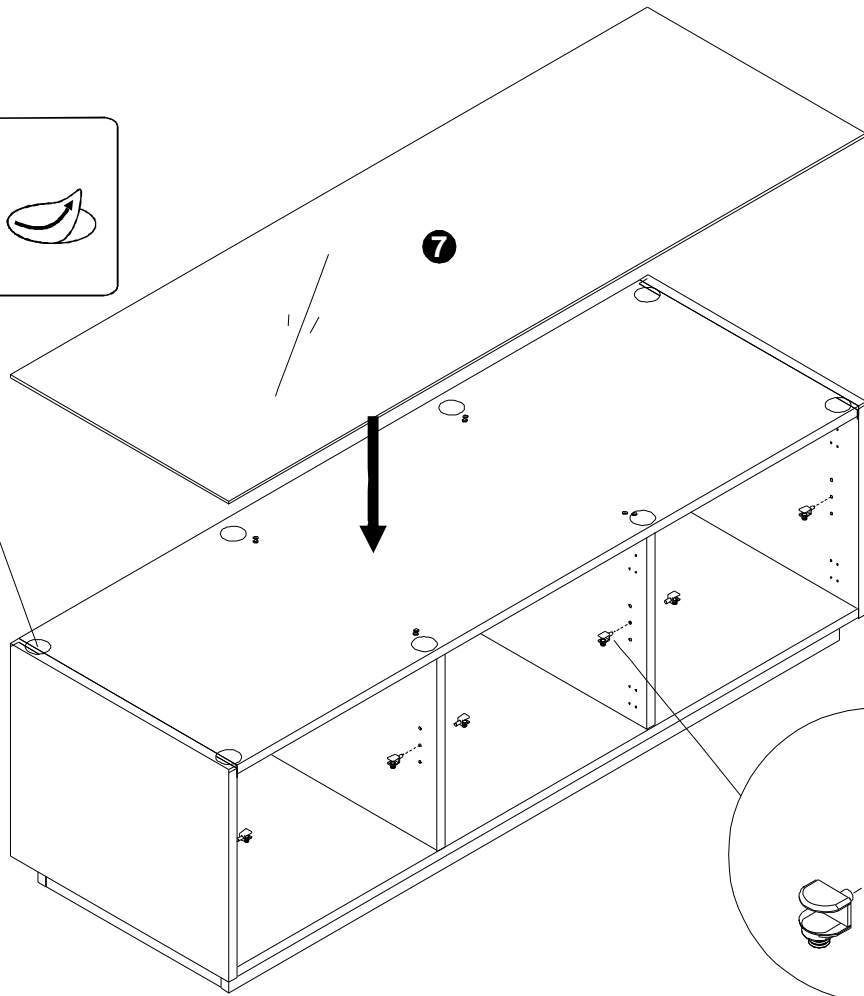
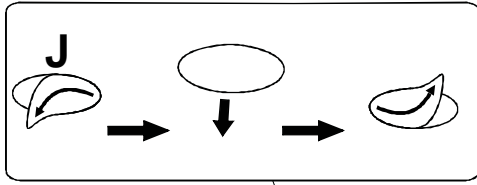
Position base in the centre when used as a single cabinet



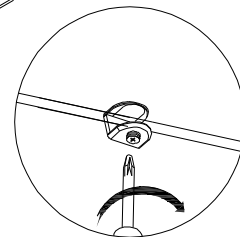
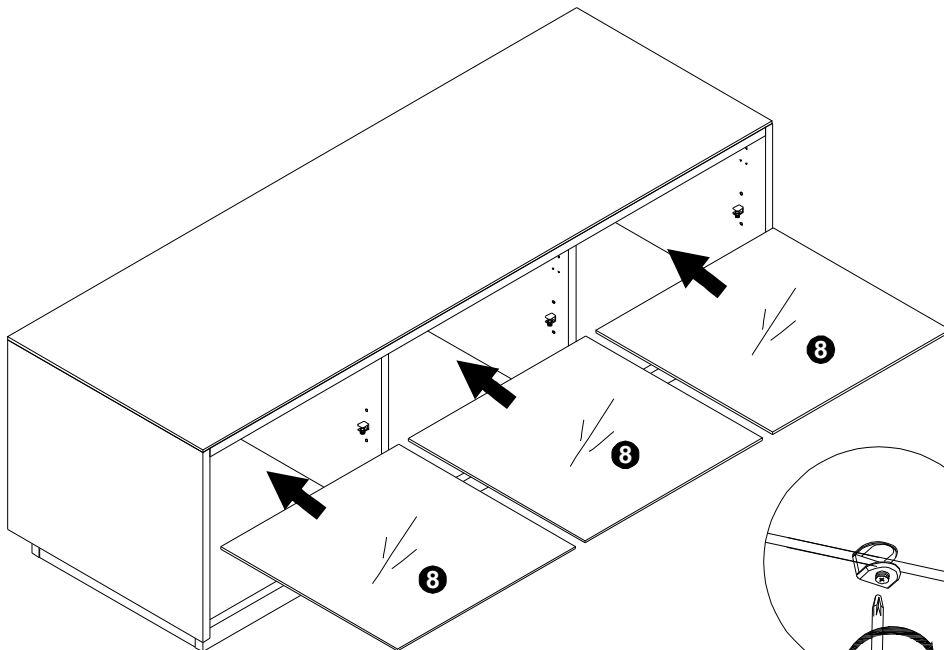
Position base to the left or right when two units are combined to make one large central base



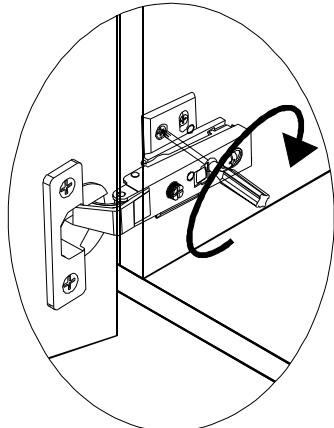
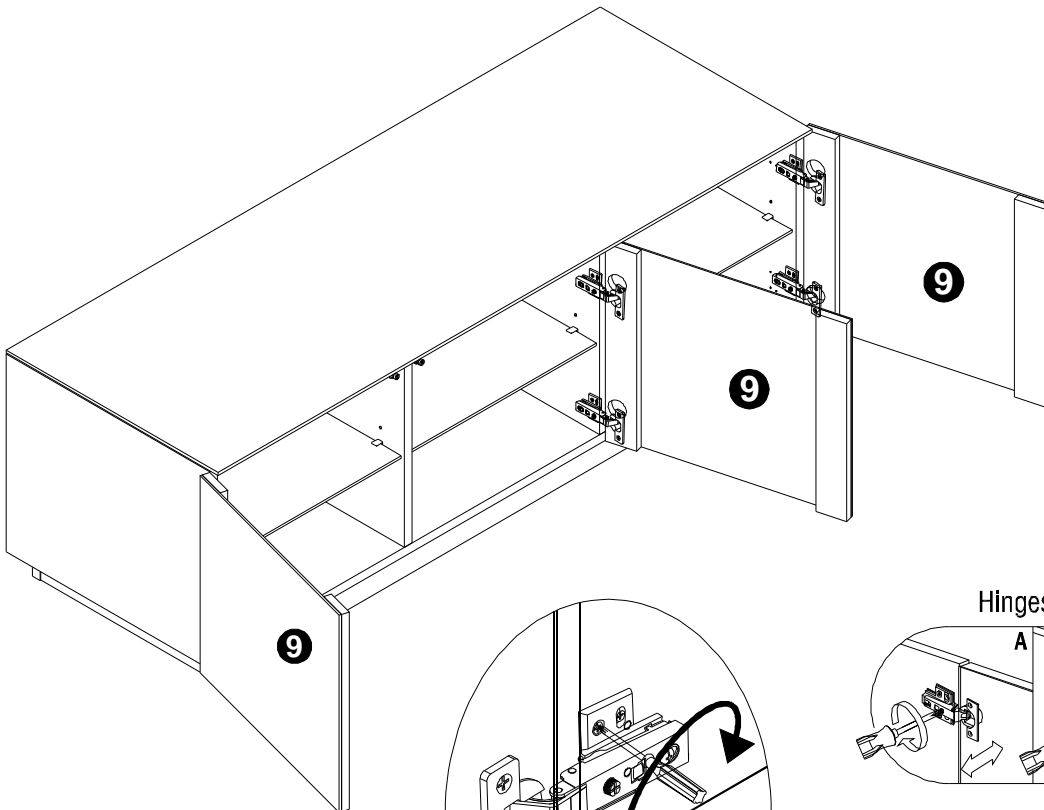
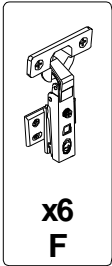
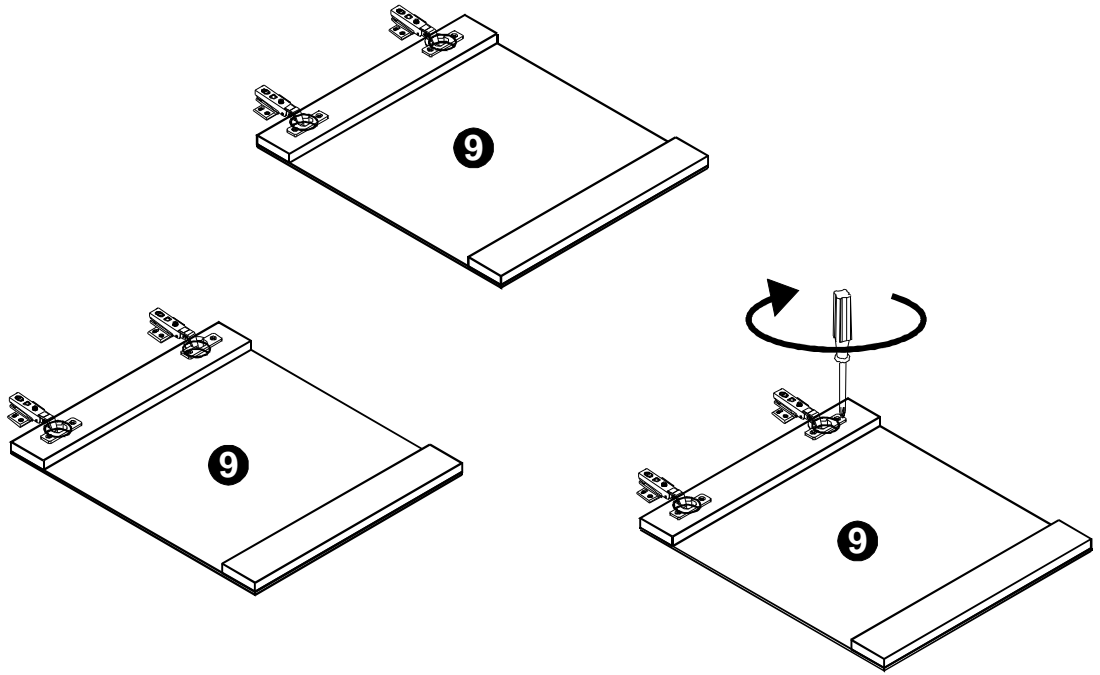
(9)



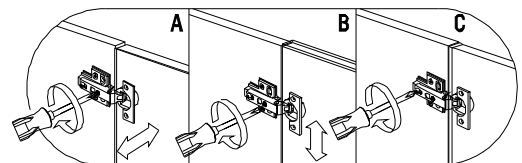
(10)



(11)



Hinges Adjustment Facilities



A. Lateral Adjustment
B. Vertical adjustment
C. Front-to-Back
by screw adjusting via slot in the mounting plate by the slackening the hinge-arm mounting screw