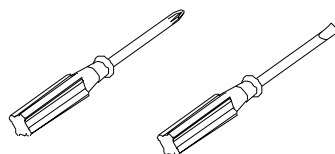
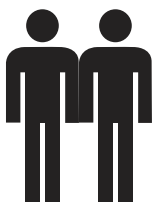
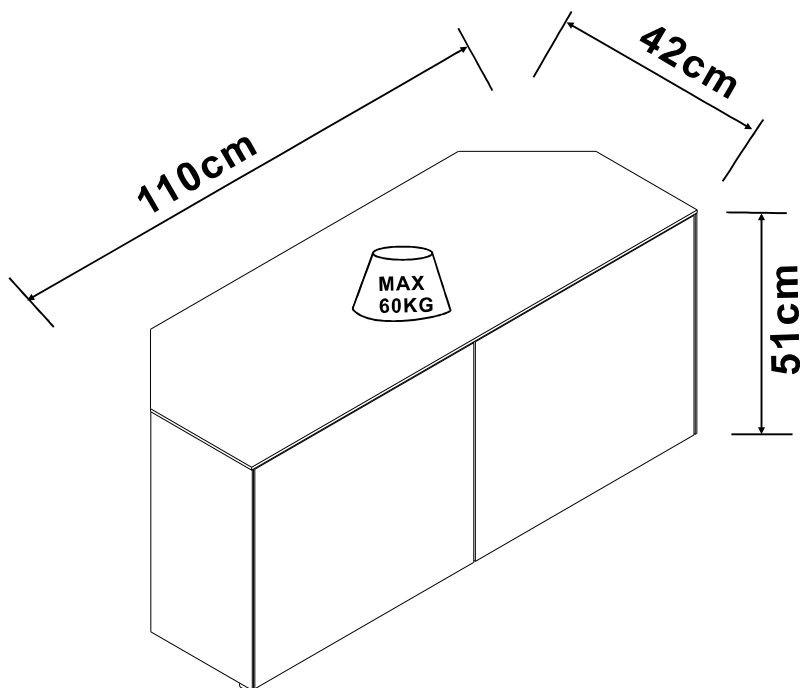


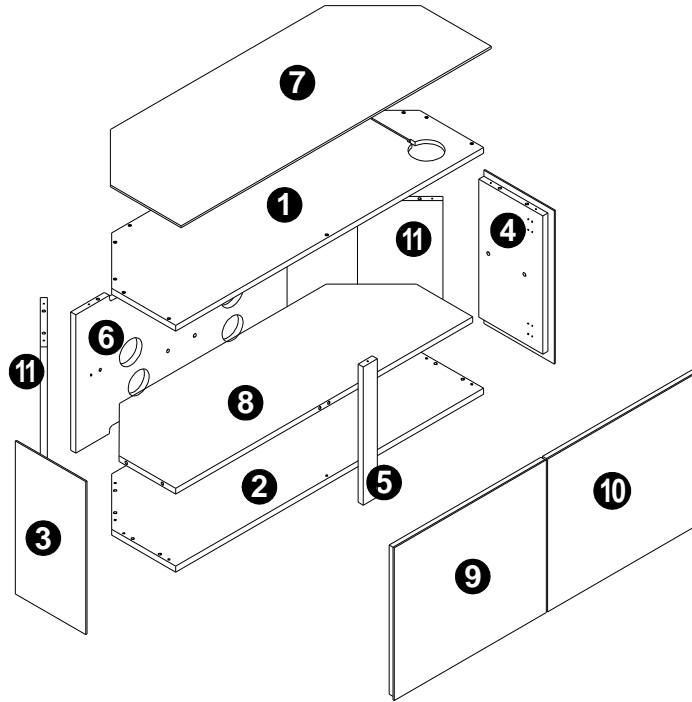
# Frank Olsen

## INTEL 1100 CORNER

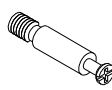


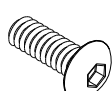


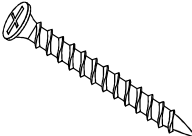
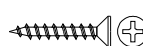
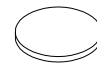
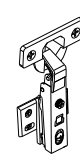

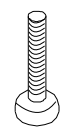
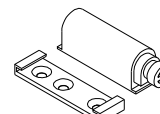
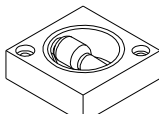


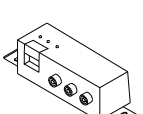
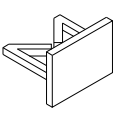

Why not live a wireless charging life ? To order accessories such as :  
Wireless Charging Power Banks, Wireless Charging Pads,  
Spare wireless cards, please visit : [www.frankolsenfurniture.co.uk](http://www.frankolsenfurniture.co.uk)  
Clean only with a non abrasive cloth or glass cleaner.



# Structure Diagram

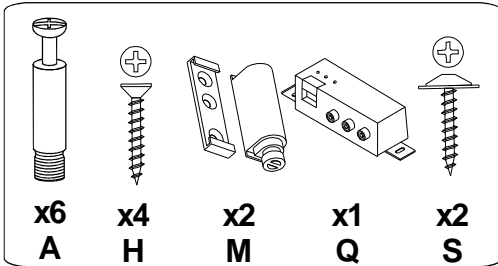
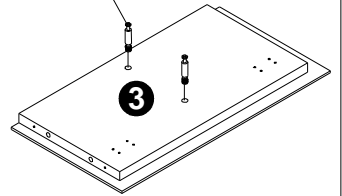
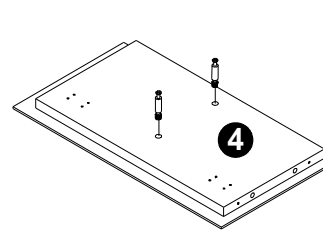
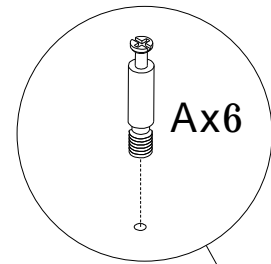
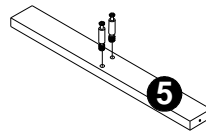
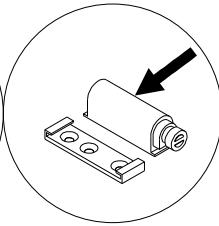
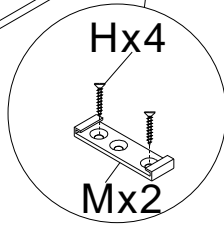
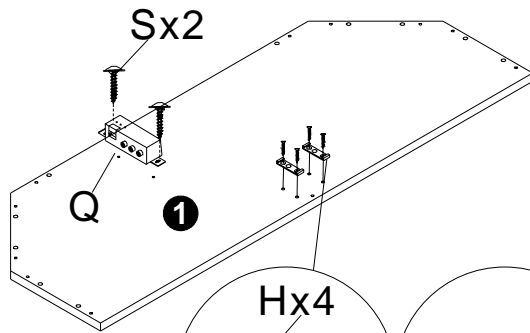


## Hardware List

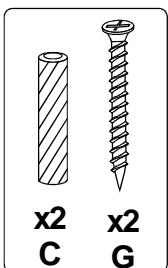
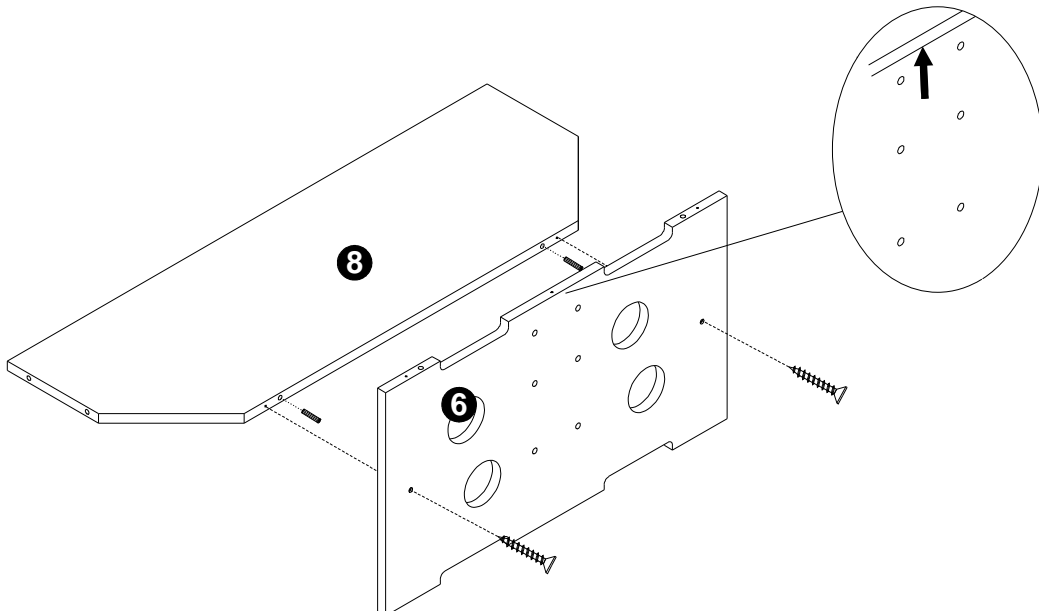
<p>A(6PCS)</p>  <p>Ø6X32mm</p>	<p>B(6PCS)</p>  <p>Ø15mm</p>	<p>C(22PCS)</p>  <p>M8X30mm</p>	<p>D(8PCS)</p>  <p>M8X30mm</p>	<p>E(1PC)</p> 	<p>F(6PCS)</p>  <p>Ø20mm</p>
<p>G(42PCS)</p>  <p>M4X40mm</p>	<p>H(4PCS)</p>  <p>M3.5X16mm</p>	<p>I(6PCS)</p> 	<p>J(4PCS)</p> 	<p>U(1PC)</p>  <p>2AMP plug is for the charger</p>	<p>L(4 PCS)</p> 
<p>M(3PCS)</p> 	<p>N(4PCS)</p> 	<p>S(2PCS)</p>  <p>M3.5X16mm</p>	<p>P(1PC)</p> 	<p>Q(1PC)</p> 	<p>R(3PCS)</p> 
<p>O(4PCS)</p> 					

(1)

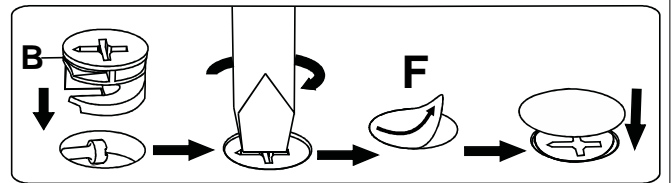
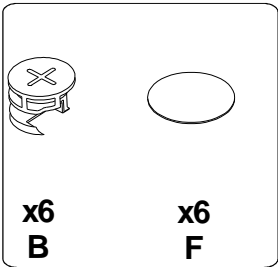
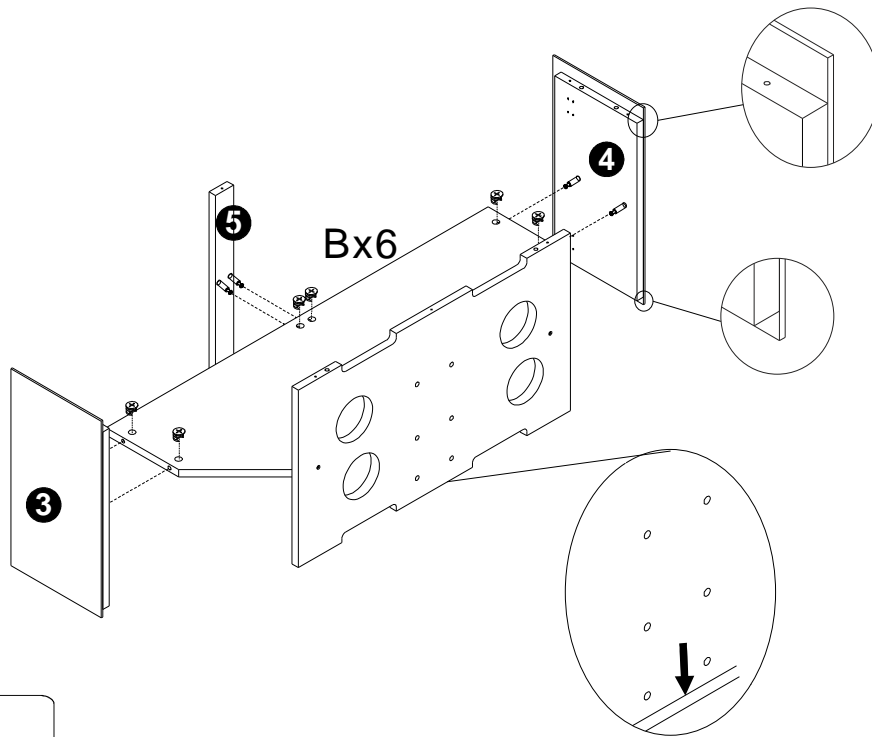
Note: Turn the end of barrel for extra adjustment if needed to work the 'push open' mechanism.



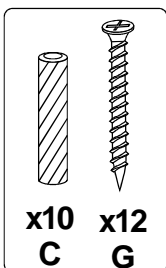
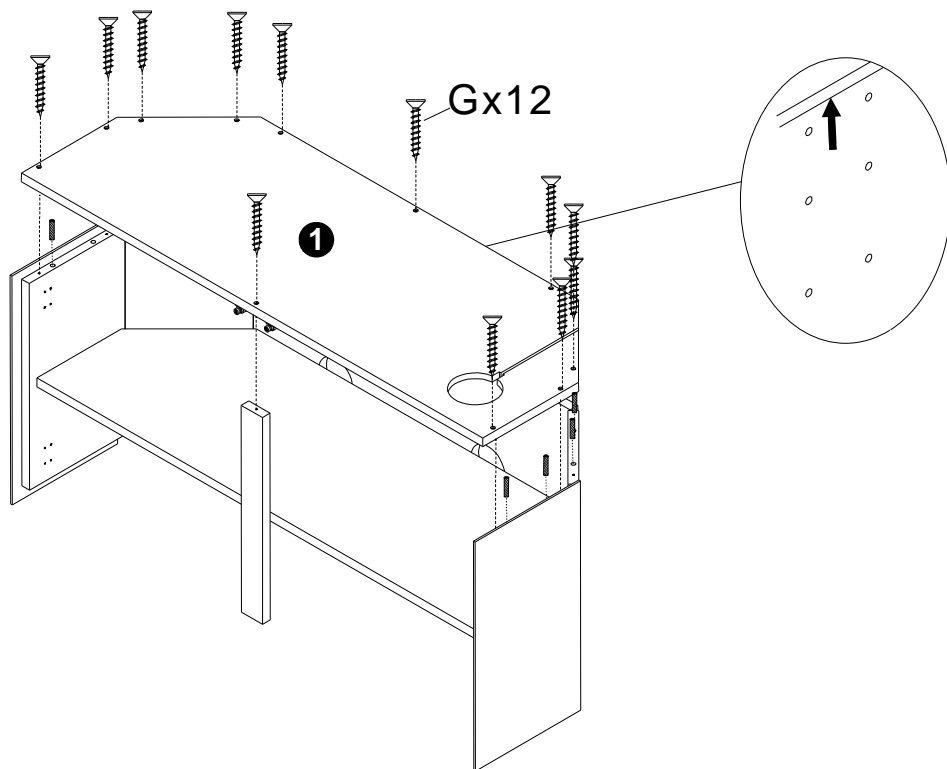
(2)



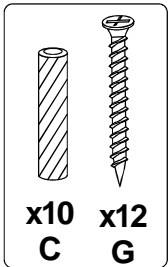
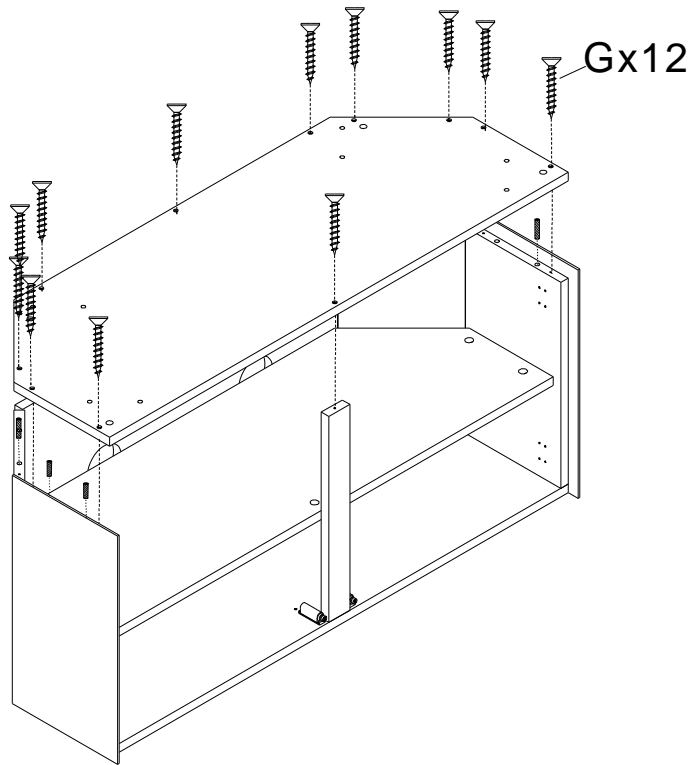
(3)



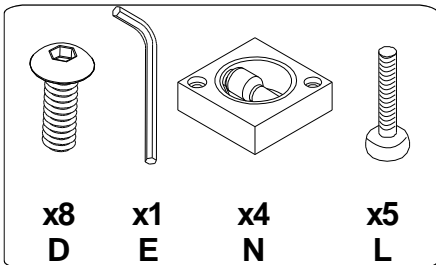
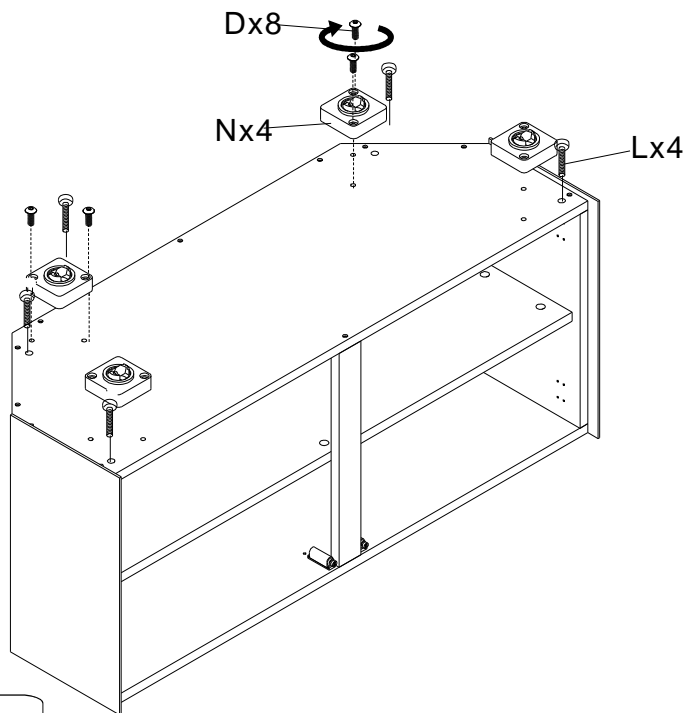
(4)



(5)

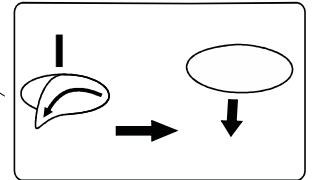
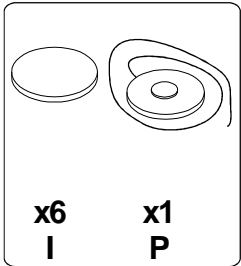
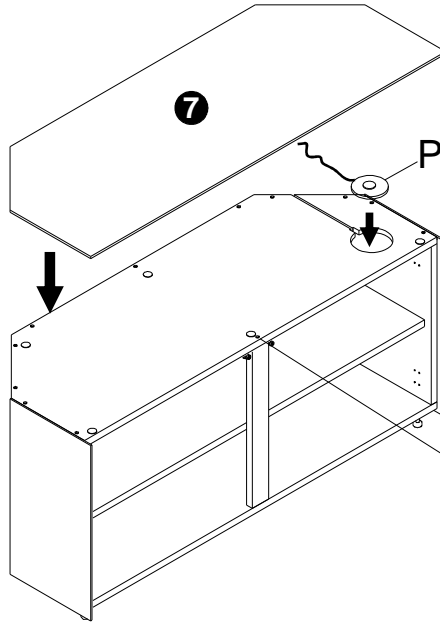


(6)

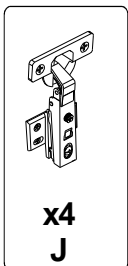
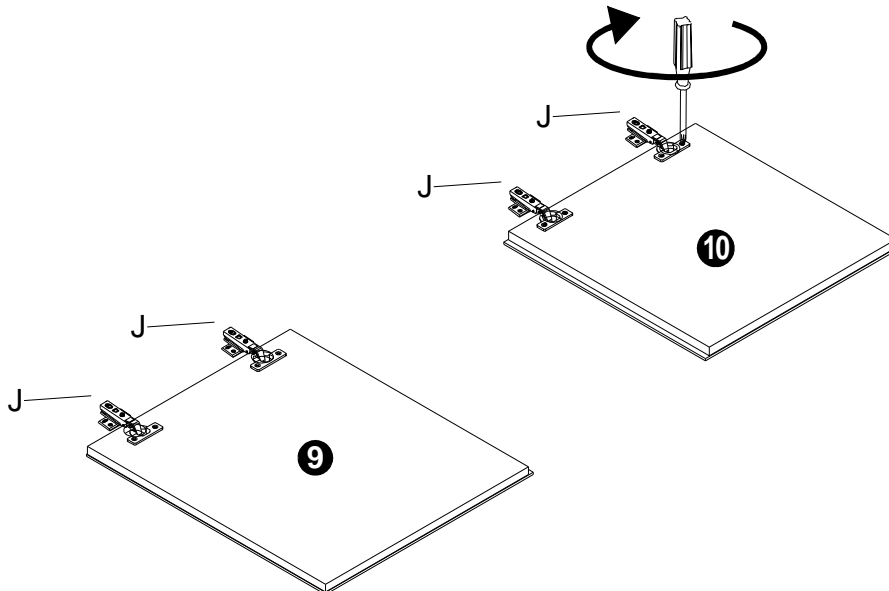


Adjustable height feet are optional to use.  
Recommended if floor is uneven.

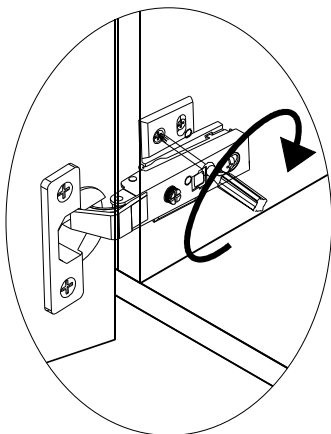
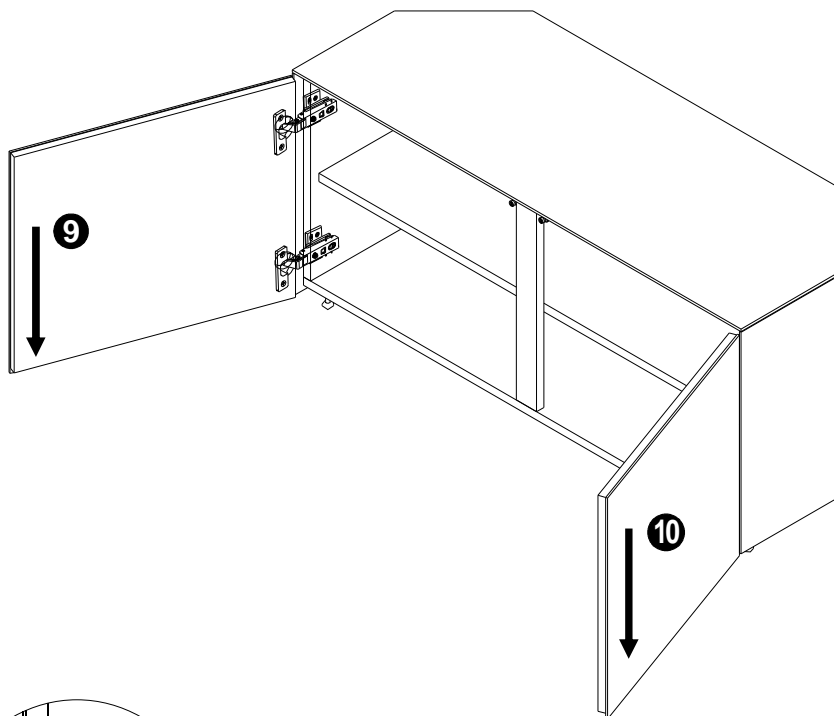
- (7) Place the charger in the cut out of the panel and feed the cable along the cut out channel. Connect to a power supply using the 2 amp plug provided. Note: The correct charger position has the coil on top."



(8)

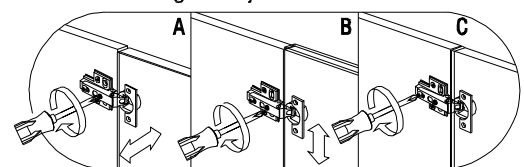


(9)



• glass lip must be at the bottom on the doors

#### Hinges Adjustment Facilities



A. Lateral Adjustment

B. Vertical adjustment

C. Front-to-Back

by screw adjusting via slot in the mounting plate by the slackening the hinge-arm mounting screw

**NOTE:** Once the doors are lined up correctly using the pre-drilled holes for the hinge plate, it is important that the **ADDITIONAL 2 x screws** are used to secure the hinge plate firmly to the main body

For help in positioning the doors and adjusting the hinges, please see our help video @ [www.frankolsenfurniture.co.uk](http://www.frankolsenfurniture.co.uk)