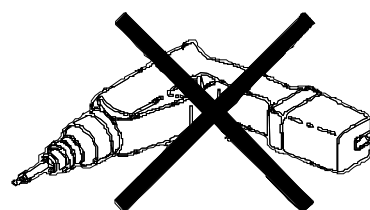
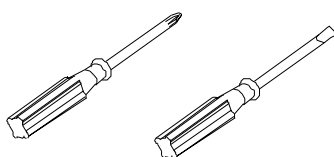
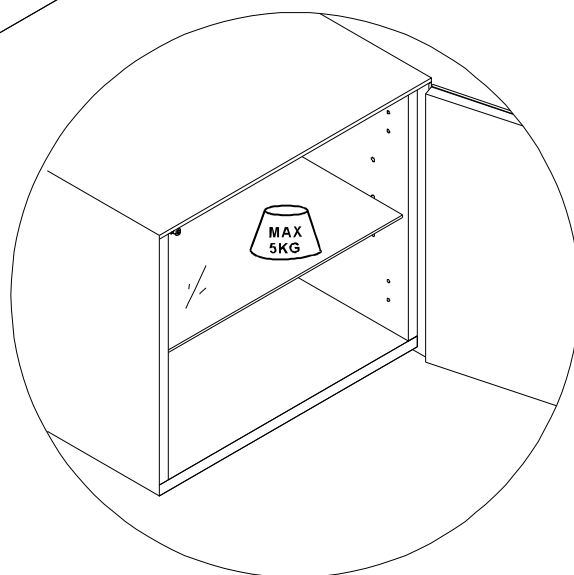
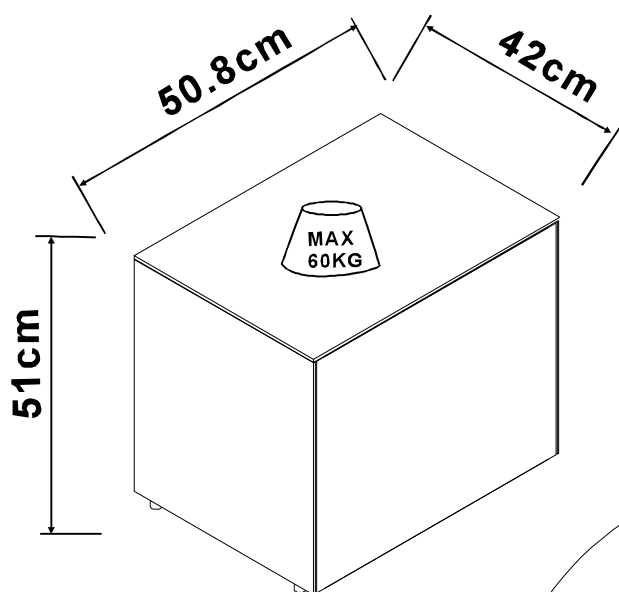


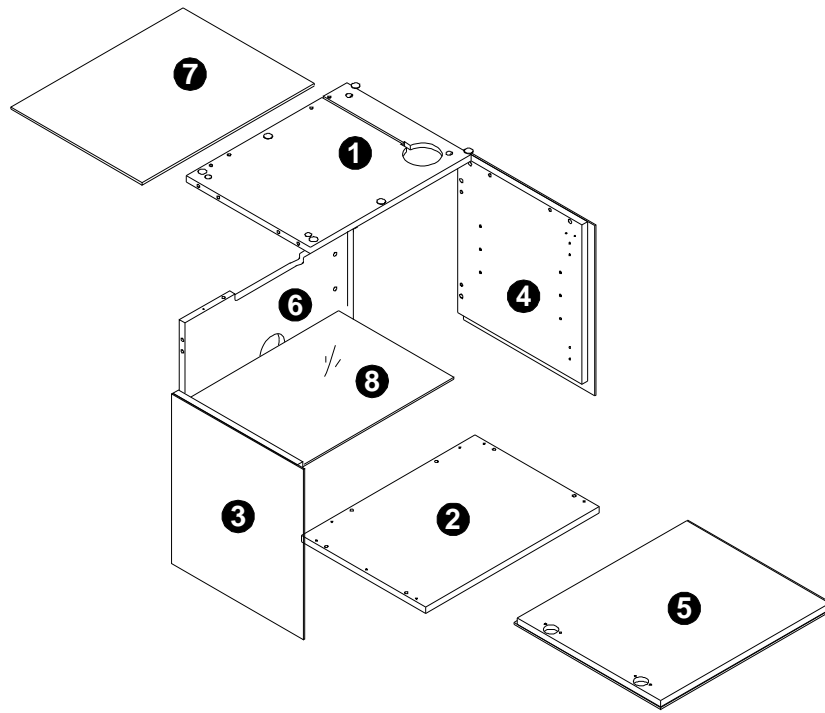
Frank Olsen

INTELLIGENT LAMP TABLE

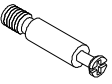


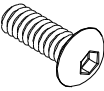
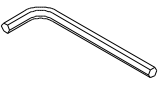

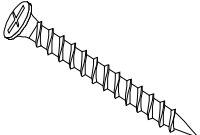
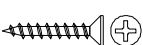
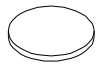
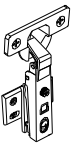

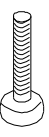
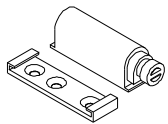
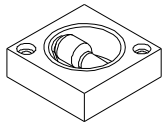


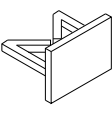
Clean only with a non abrasive cloth or glass cleaner.



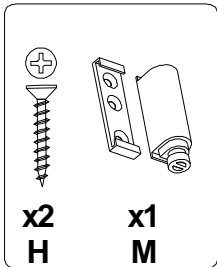
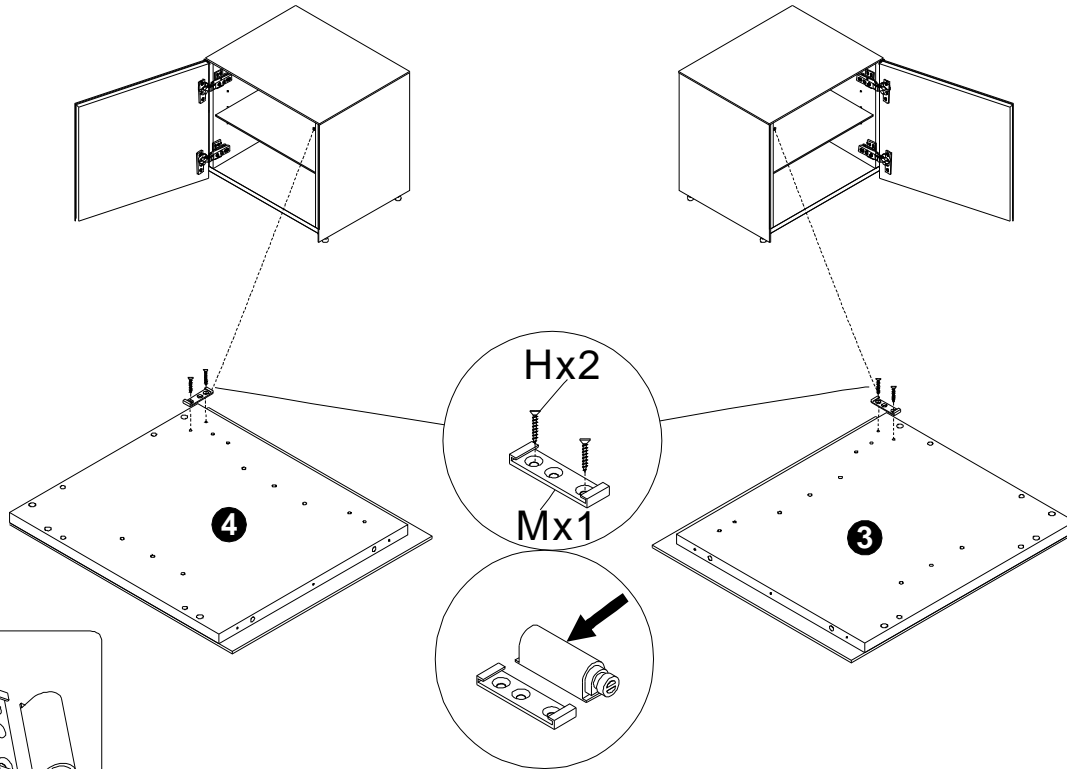
Structure Diagram



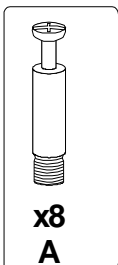
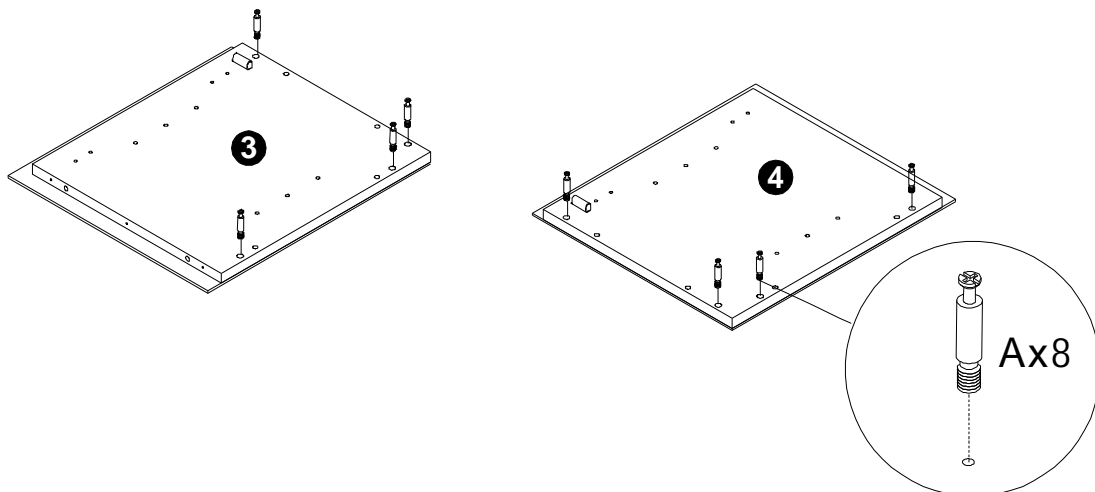
Hardware List

<p>A(8PCS)</p>  <p>Ø6X32mm</p>	<p>B(8PCS)</p>  <p>Ø15mm</p>	<p>C(16PCS)</p>  <p>M8X30mm</p>	<p>D(8PCS)</p>  <p>M8X30mm</p>	<p>E(1PC)</p> 	<p>F(8PCS)</p>  <p>Ø20mm</p>
<p>G(10PCS)</p>  <p>M4X40mm</p>	<p>H(2PCS)</p>  <p>M3.5X16mm</p>	<p>I(5PCS)</p> 	<p>J(2PCS)</p> 	<p>K(4PCS)</p> 	<p>L(4PCS)</p> 
<p>M(1PCS)</p> 	<p>N(4PCS)</p> 	<p>O(1PC)</p> 	<p>P(1PC)</p> 	<p>R(1PC)</p> 	

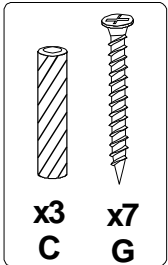
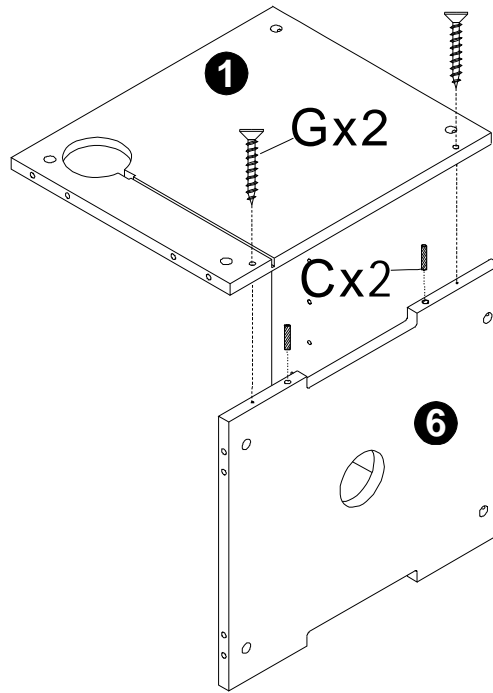
(1) Note: Turn the end of barrel for extra adjustment if needed to work the 'push open' mechanism.



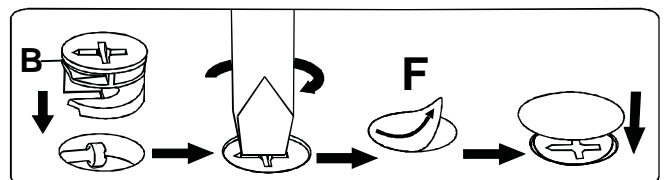
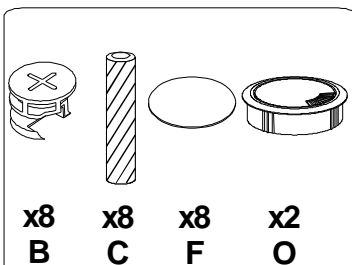
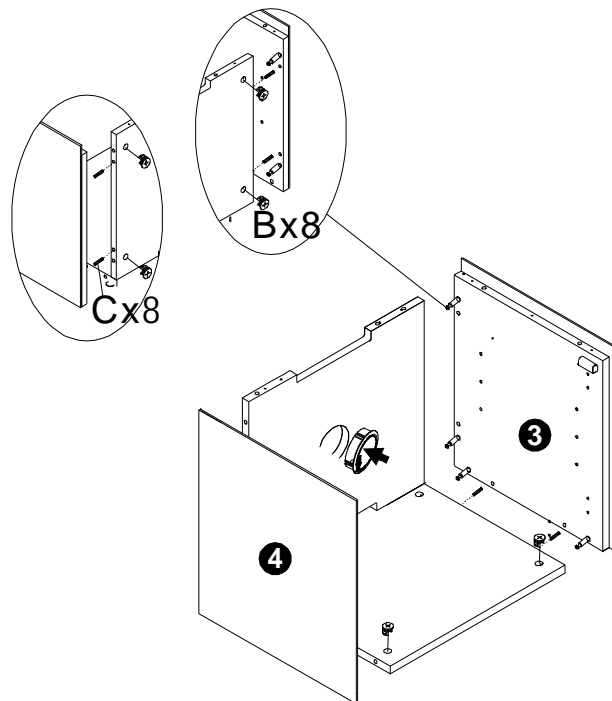
(2)



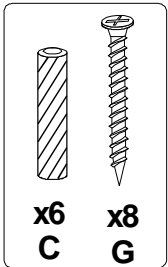
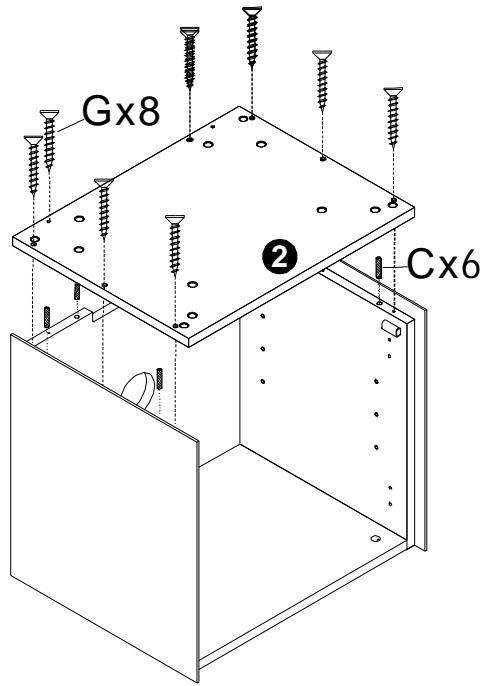
(3)



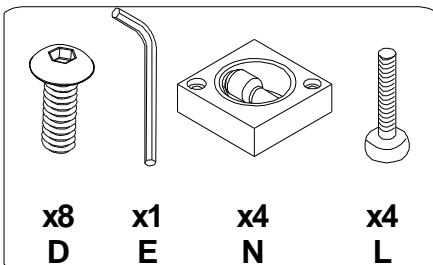
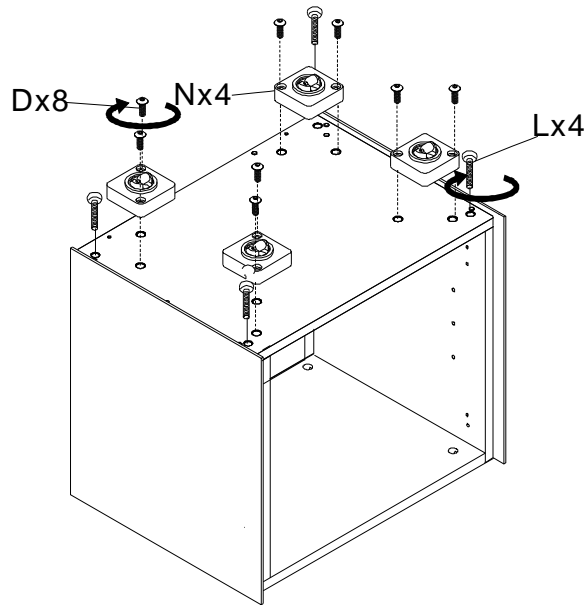
(4)



(5)



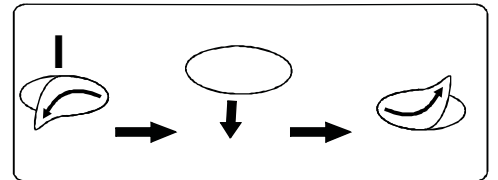
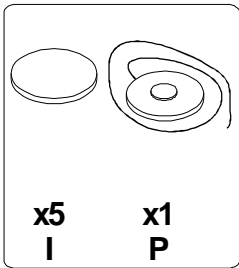
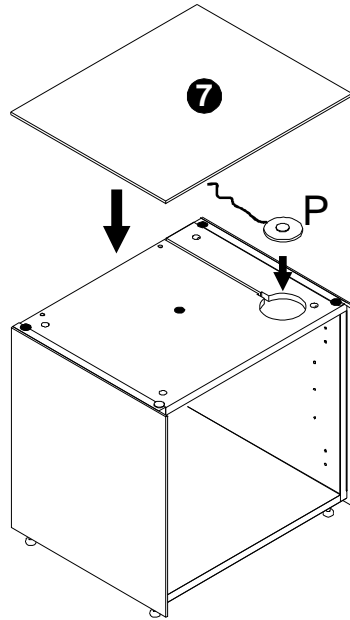
(6)



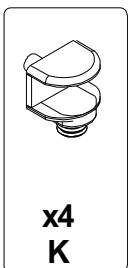
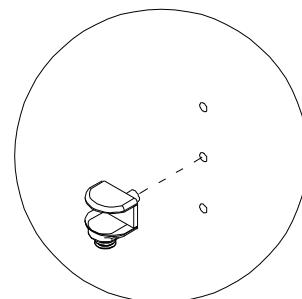
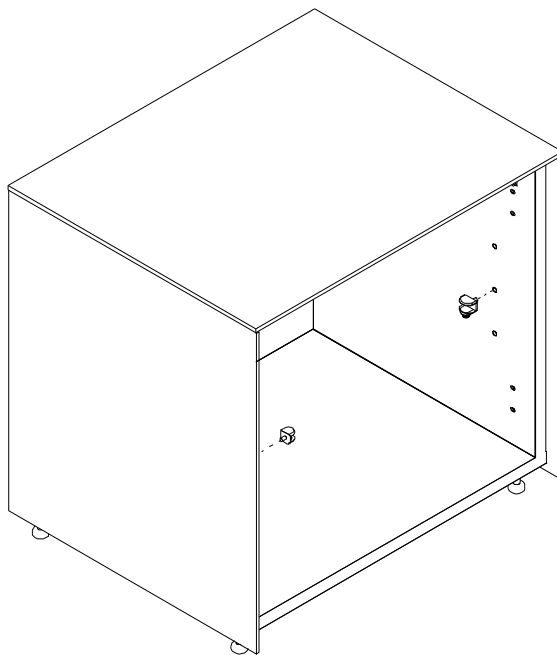
Adjustable height feet are optional to use.
Recommended if floor is uneven.

(7)

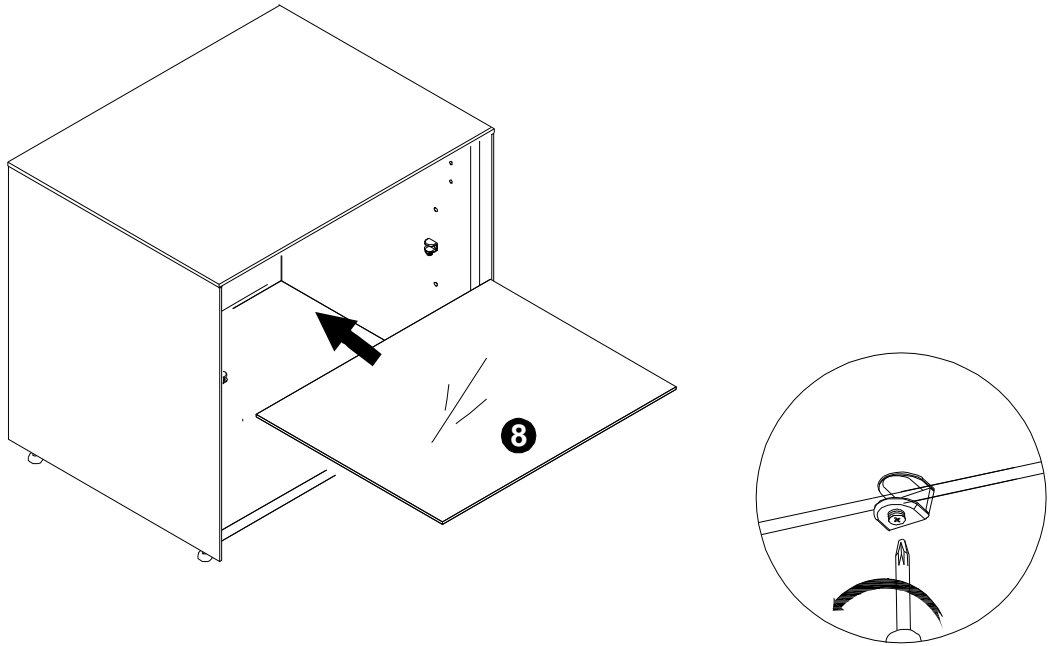
Connect cable micro port to the charging unit.
Connect the cable USB port to a power source or plug.
Place the charger in the cut out of the panel and feed
cable along the channel.
Note: Charger position has the coil to the top.



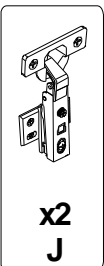
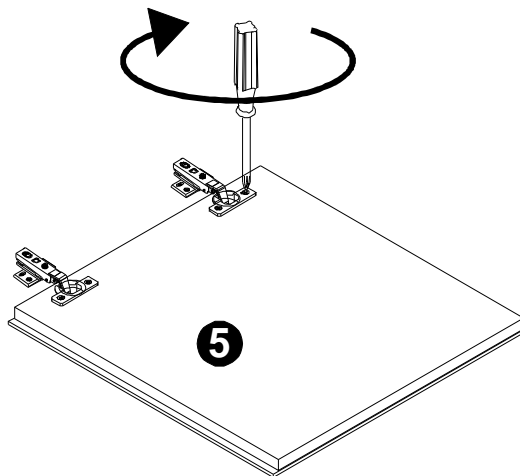
(8)



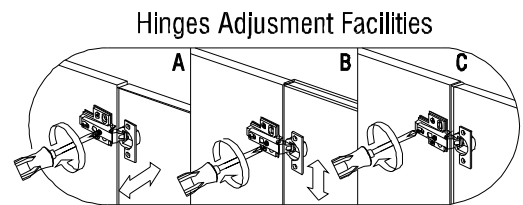
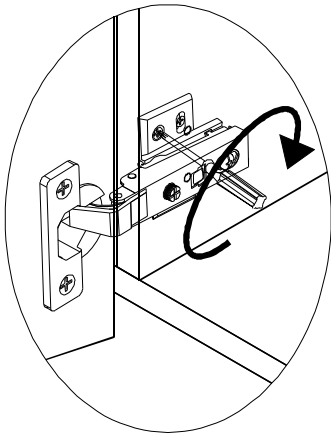
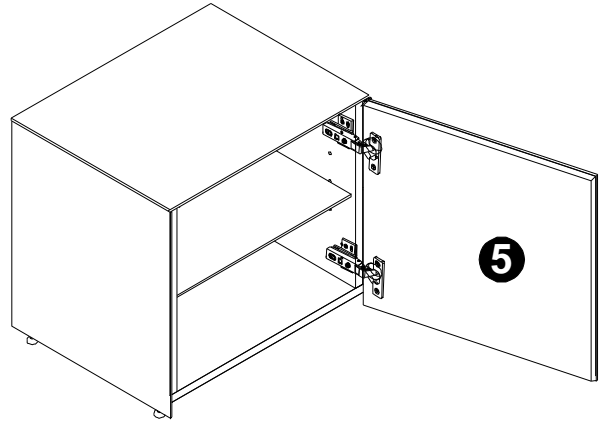
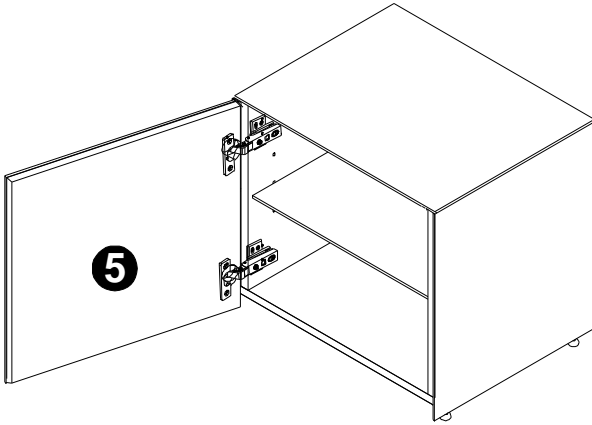
(9)



(10)



(11)



- A. Lateral Adjustment
 - B. Vertical adjustment
 - C. Front-to-Back
- by screw adjusting via slot in the mounting plate by the slackening the hinge-arm mounting screw