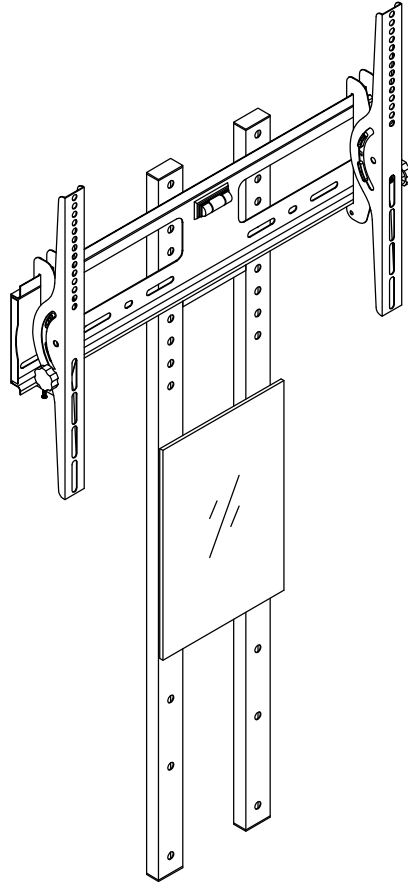


Intel TV Bracket

Assembly Instructions



NOTE : If you have any problems or feel the need to return the product, Please contact us first so that we can try our best to help resolve your issue as quickly as possible. support@frankolsenfurniture.co.uk 0800 689 5054

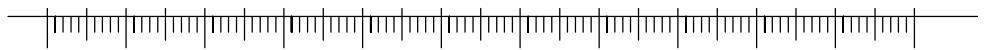
**To watch assembly video :
www.frankolsenfurniture.co.uk**

**Download the Frank Olsen Smart app from :
Google Play store or Apple store**


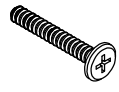
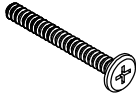


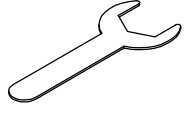


HARDWARE

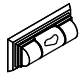
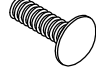






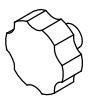
0 5 10 15 20 25 30 35 40 45 50 55 60 65 70 75 80 85 90 95 100 105 110 mm

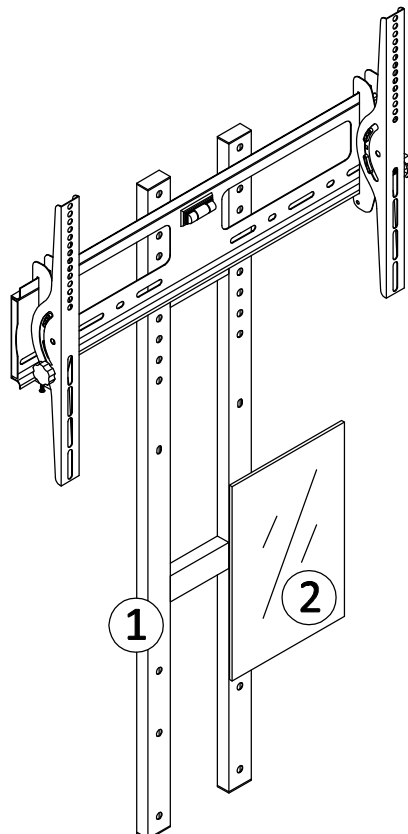


Bag A

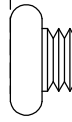
A M8*25  x2	B M8*35  x4	C M8*55  x6	D M8  x22	E M8*13  x10	F D13  x1
--	--	--	--	---	--

Bag B

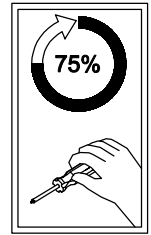
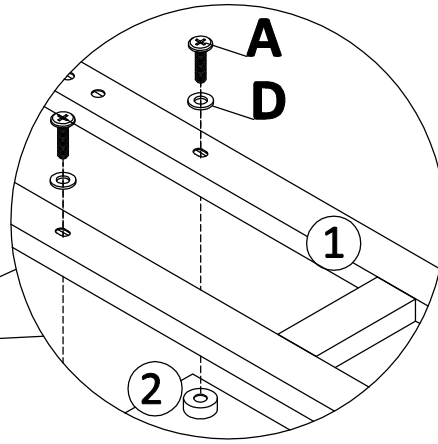
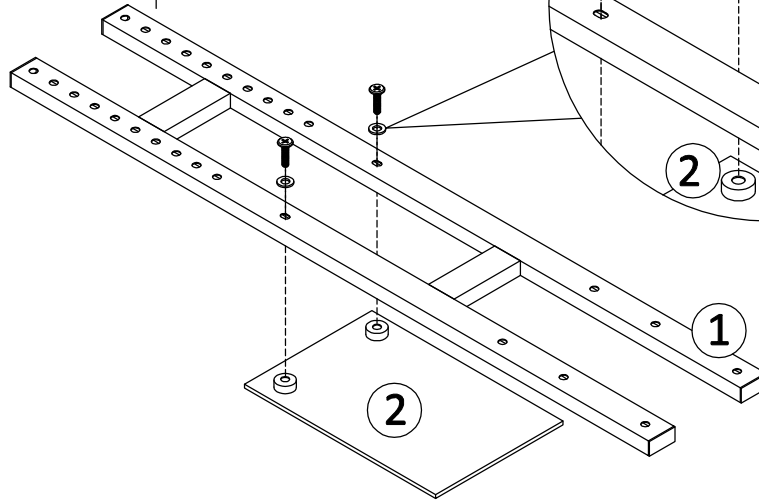
G M8*30  x1	H M6*14  x2	I M6*16  x4	J M8*16  x4	K M5*45  x2	L M8 Black  x2
M M6  x4	N M8  x4	O  x2			



1

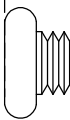
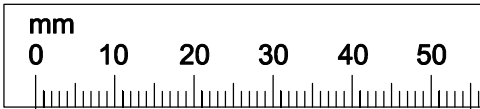


A

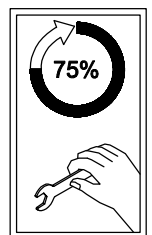
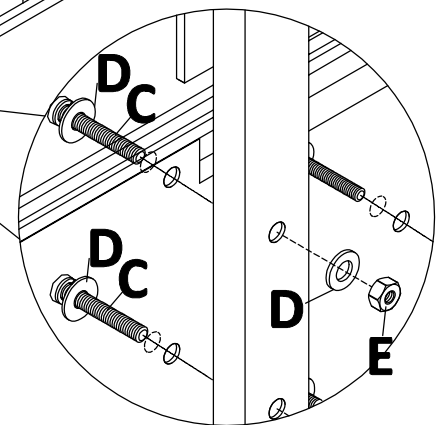
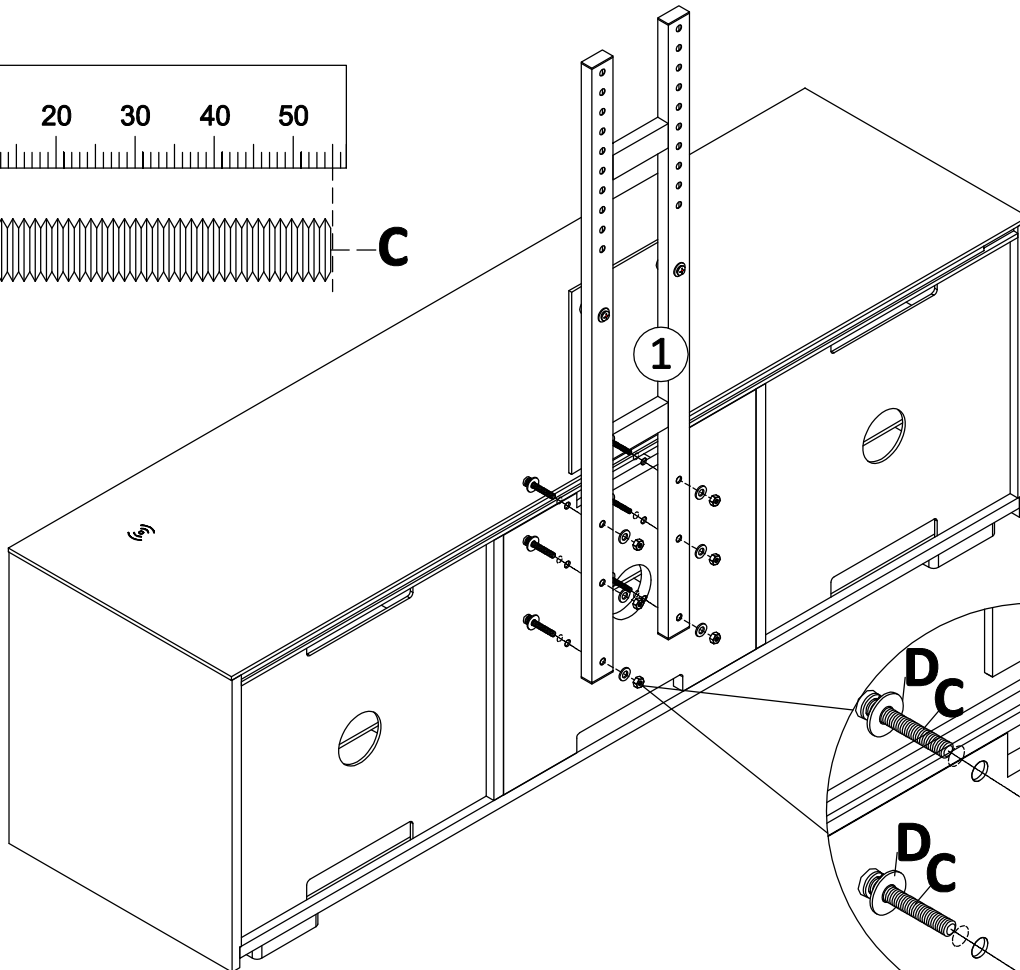


Note: Do not fully tighten until assembly is completed .

2



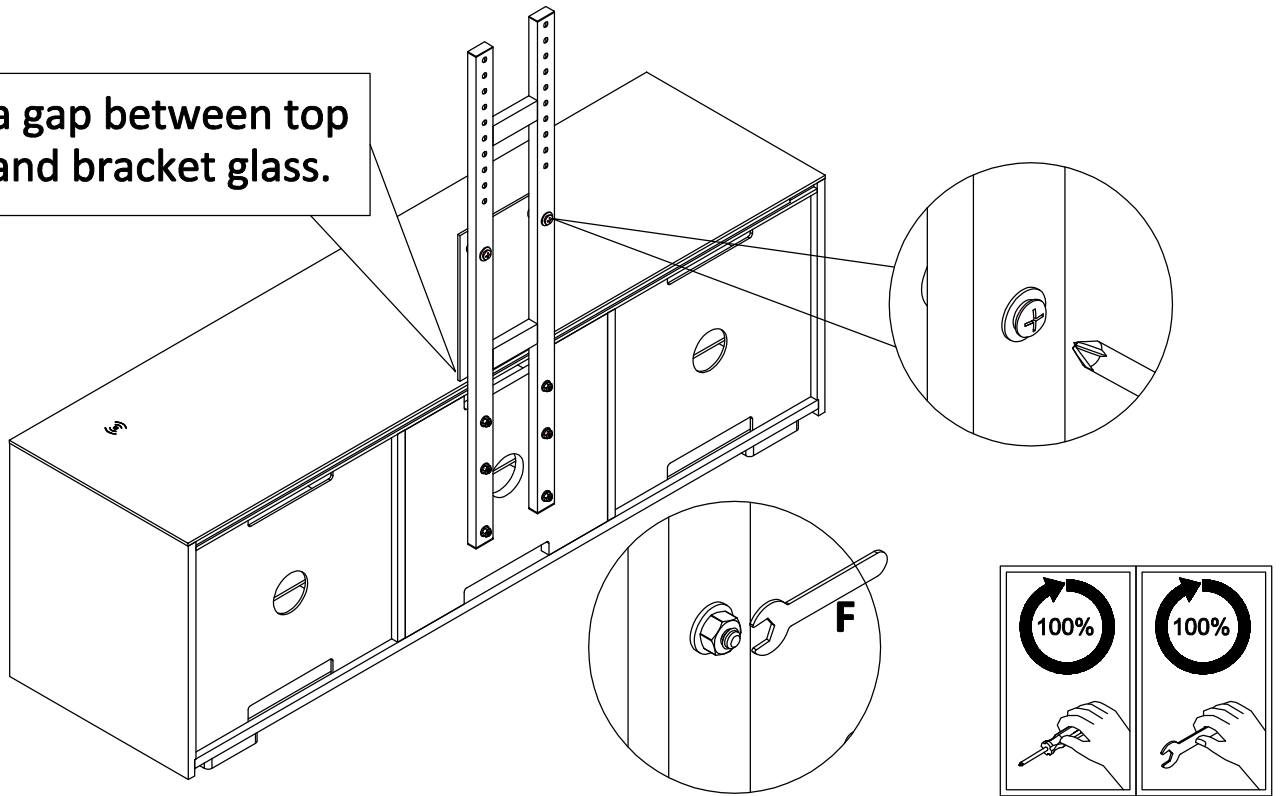
C



Note: Do not fully tighten until assembly is completed .

3

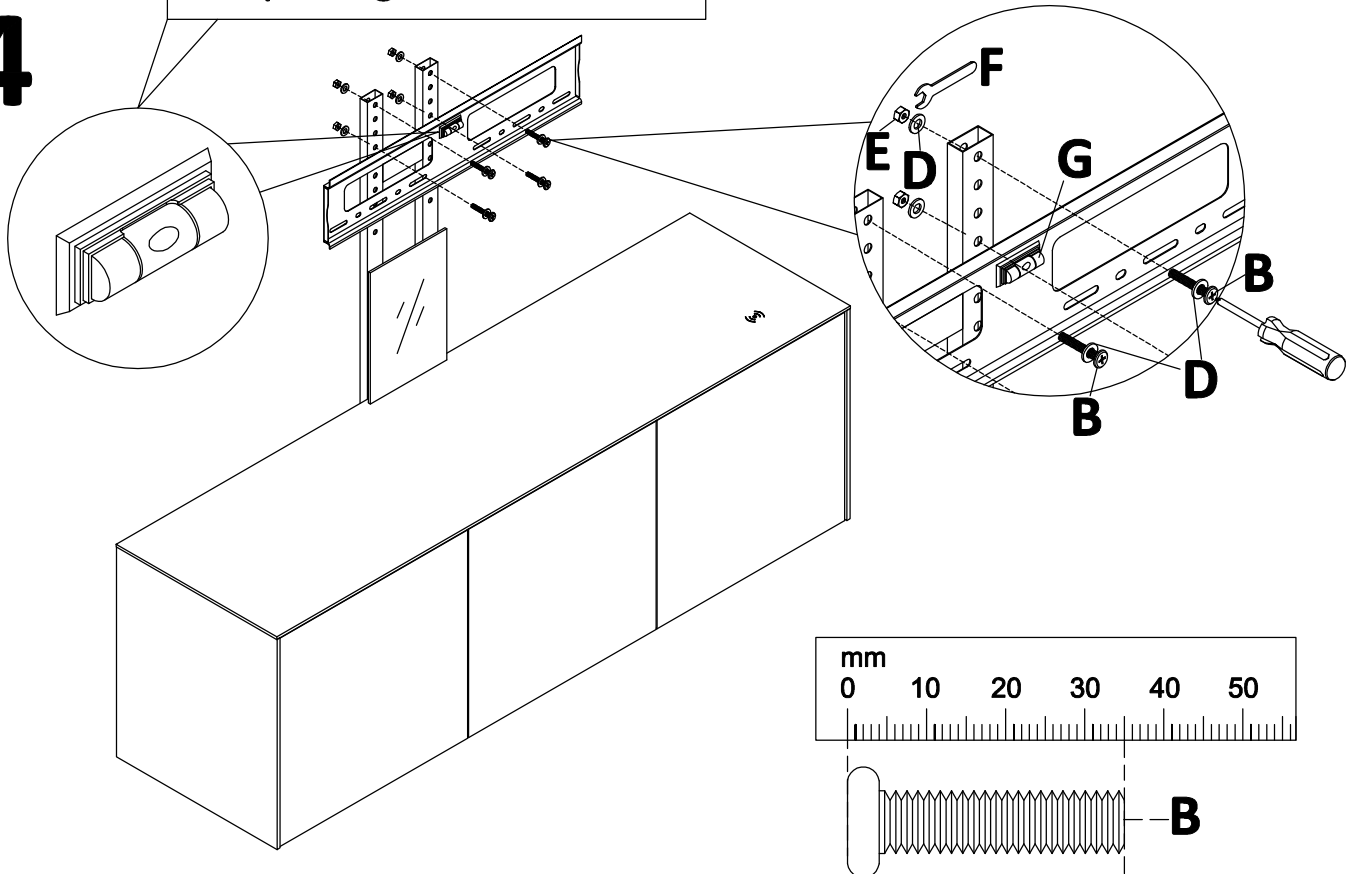
Keep a gap between top glass and bracket glass.



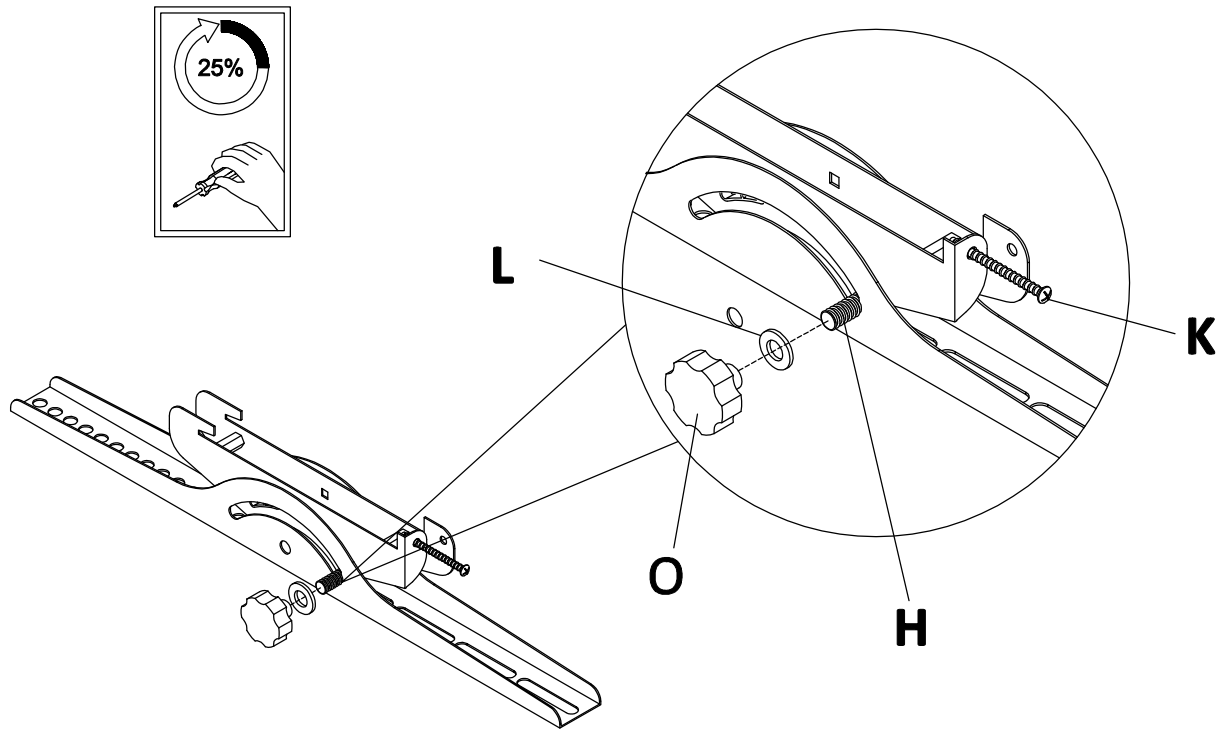
Note: Please tighten all bolts.

4

Keep the gradienter level

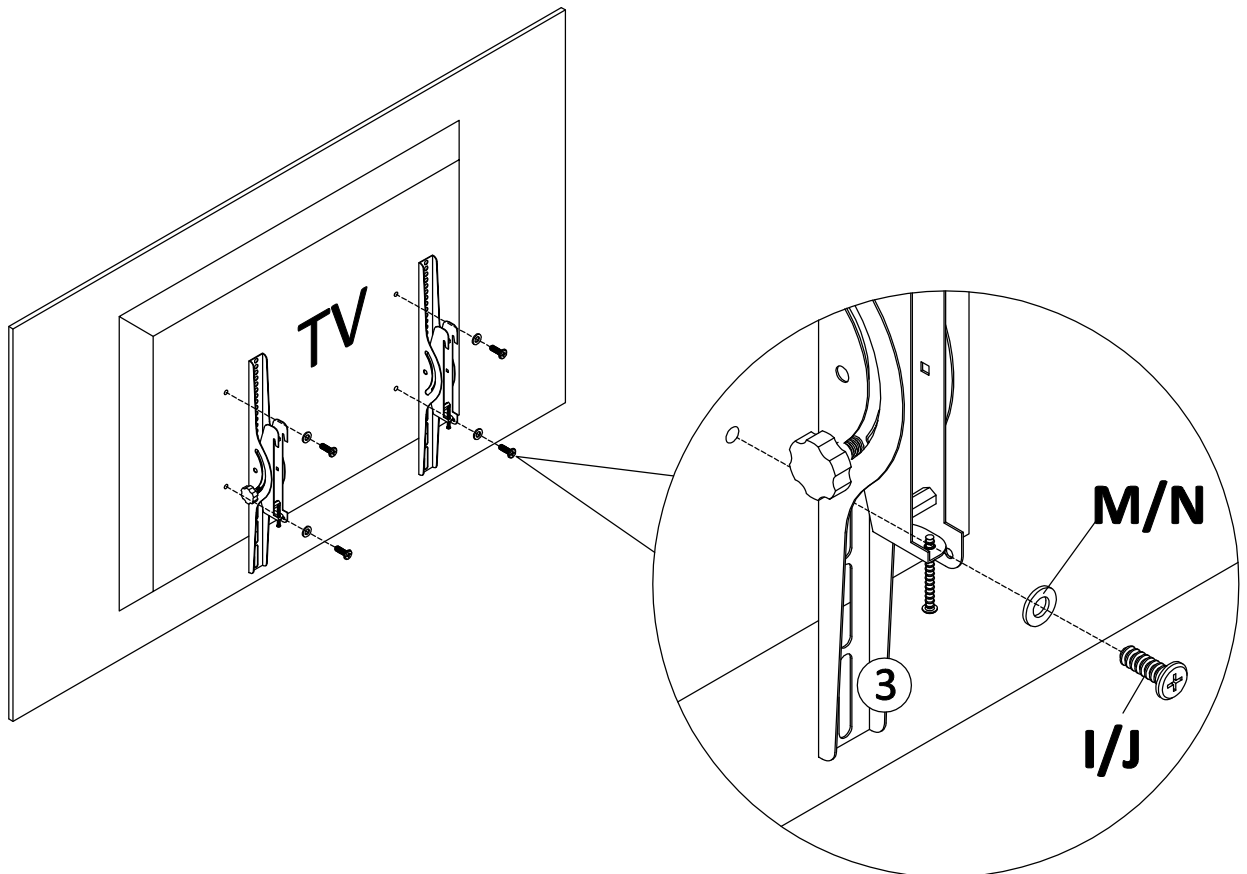


5



Note: Do not fully tighten until assembly is completed .

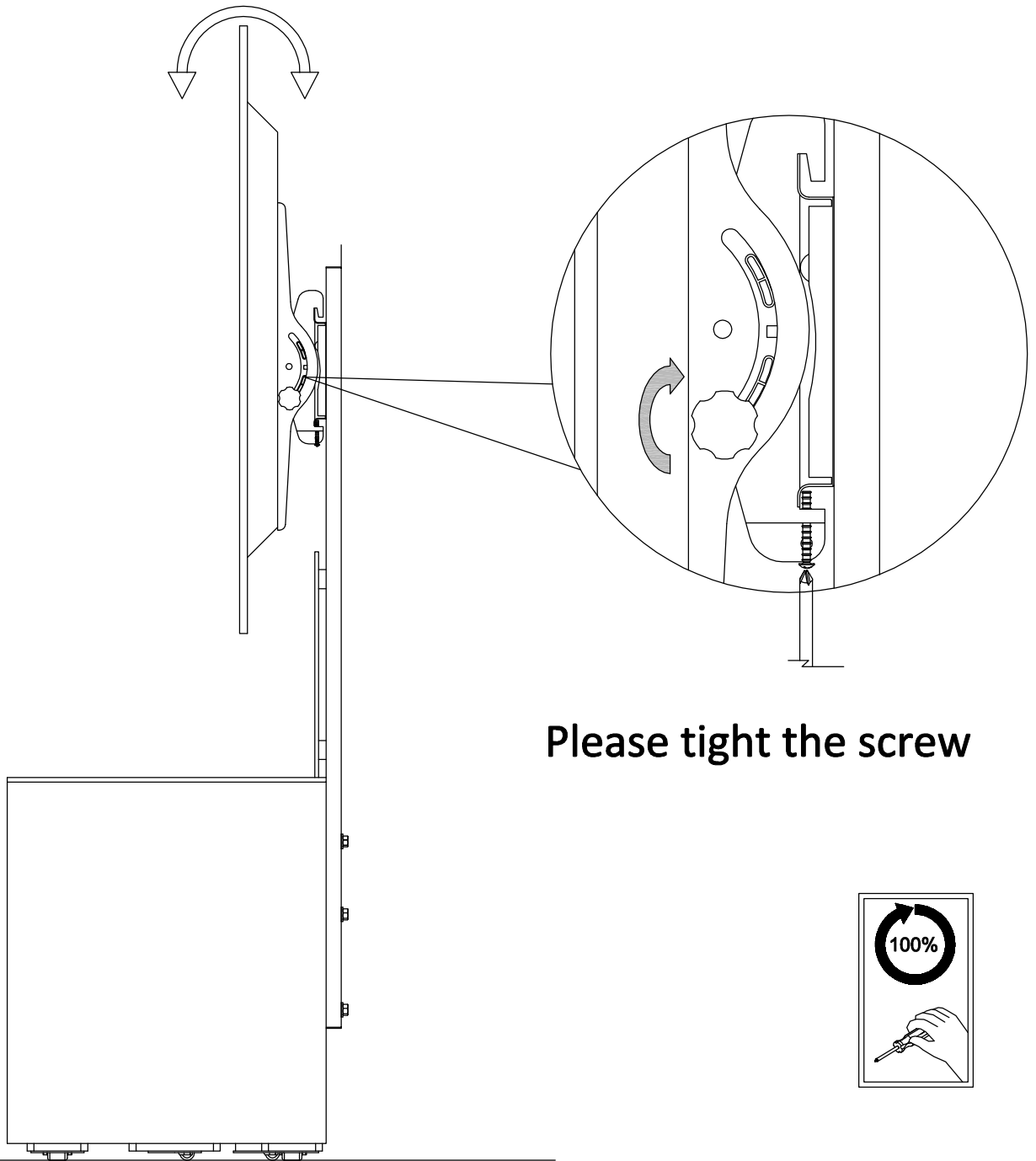
6



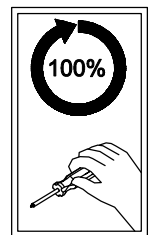
Choose the matched size of Bolt (M/N) and Spacer(I/J).

7

-15° ~ 15°



Please tight the screw



CLEANING ADVICE:

To avoid scratching the painted and glass surfaces,
clean only with a non abrasive cleaner.